

SERVICE-UNTERLAGEN

# Model 4808/Option 70 Wideband Multifunktionskalibrator

*Schaltpläne  
Teilelisten*

DESIG	PART NO	DESCRIPTION	PRINC MANUF	MANUF PART NUMBER	CLASS	UM	QUANTITY
220053		DIODE LE PAN MNT	BULGIN	DX1118/GN		EA	1
401087-1		ASSY PCB WIDEBAND 4800WB	WAVETEK	SEE DRG		EA	1
401088-1		ASSY PCB PSU 4800WB	WAVETEK	SEE DRG		EA	1
401123-1		ASSY CABLE F/P S/R 4800WB	WAVETEK	SEE DRG		EA	1
401131-1		ASSY CABLE CONTROL 4800WB	WAVETEK	SEE DRG		EA	1
401132-1		ASSY CABLE SIG COUPLING 4800WB	WAVETEK	SEE DRG		EA	1
401274-3		ASSY EPROM 4800AWB	WAVETEK	SEE DRG		EA	-
401275-3		ASSY EPROM 4805WB	WAVETEK	SEE DRG		EA	-
401276-3		ASSY EPROM 4808WB	WAVETEK	SEE DRG		EA	-
420074-1		LABEL MOD RECORD 1281	RS COMPONENTS	606-226		EA	1
420146		LABEL 63.5 X 25.4 SILVER/PE	BRADY	LAT-21-773-1		EA	1
450973-1		FRONT BEZEL 4800WB	NORS PRECISION CASTI	SEE DRG		EA	1
450974-1		REAR PANEL 4800WB	FARNELL TECH	SEE DRG		EA	1
450976-1		BOTTOM SHIELD 4800WB	FARNELL TECH	SEE DRG		EA	1
450977-2		TOP COVER FRONT 4800WB	FARNELL TECH	SEE DRG		EA	1
450978-1		CENTRE SUPPORT PILLAR 4800WB	SPEAR ENGINEERING	SEE DRG		EA	2
450979-1		INSULATOR MAINS 4800WB	KENSULAT	SEE DRG		EA	1
450980-1		OVERLAY CONNECTOR 4800WB	TRIMCRAFT	SEE DRG		EA	1
450981-1		OVERLAY POWER 4800WB	TRIMCRAFT	SEE DRG		EA	1
450986-1		SIDE EXTRUSION LH 4800WB	FARNELL TECH	SEE DRG		EA	1
450987-1		SIDE EXTRUSION RH 4800WB	FARNELL TECH	SEE DRG		EA	1
451021-1		INSULATING PAD 4800WB	KENSULAT	SEE DRG		EA	1
451040-1		TOP COVER REAR 4800WB	FARNELL TECH	SEE DRG		EA	1
512000		WIRE 7/.2 PTFE 1KV BLK	BICC	SEE DRG	A	AR	1
512222		WIRE 7/.2 PTFE 1KV RED	BICC	SEE DRG	A	AR	1
512555		WIRE 7/.2 PTFE 1KV GRN	BICC	SEE DRG	A	AR	1
512666		WIRE 7/.2 PTFE 1KV BLU	BICC	SEE DRG	A	AR	1
512777		WIRE 7/.2 PTFE 1KV VLT	BICC	SEE DRG	A	AR	1
512999		WIRE 7/.2 PTFE 1KV WHT	BICC	SEE DRG	A	AR	1
530111		WIRE 24/.2 PVC 1.5KV BRN	BICC	SEE DRG	A	AR	1
530222		WIRE 24/.2 PVC 1.5KV RED	BICC	SEE DRG	A	AR	1
530333		WIRE 24/.2 PVC 1.5KV ORG	BICC	SEE DRG	A	AR	1
530555		WIRE 24/.2 PVC 1.5KV GRN	BICC	SEE DRG	A	AR	1
530666		WIRE 24/.2 PVC 1.5KV BLU	BICC	SEE DRG	A	AR	1
530777		WIRE 24/.2 PVC 1.5KV VLT	BICC	SEE DRG	A	AR	1
540006		WIRE 1/.4 PTFE 250V BLK	BICC	SEE DRG	A	AR	1
560002		CABLE COAX 7/34AWG 2.54 DIA	RAYFAST	5026A1311-0		AR	1
570001		CABLE RIBBON 16-WAY	3M	3365/16		AR	1
590006		SLEEVE HS 2.4mm YLW	RS COMPONENTS	399-495		AR	1
590033		SLEEVE NP 5 x 25mm BLK	HELLERMANN	H50 X 25mm BLK		EA	2
590074		SLEEVE SOLDER DIAM 3.0	RAYFAST	CWT-3		EA	4
605052		SOCKET HOUSING 8-WAY .1"P	MOLEX	22-01-2085		EA	2
605057-1		CRIMP TERM .100 GD PL REEL	MOLEX	08-56-0120 TO DRG		EA	16
605077-1		CRIMP TERM .156 GD PL REEL	MOLEX	08-56-0105 TO DRG		EA	12
605096		SOCKET 15-WAY D	T&B ANSLEY	609-155	A	EA	2

18 JAN 1996

DESIG	PART NO	DESCRIPTION	PRINC MANUF	MANUF PART NUMBER	CLASS	UM	QUANTITY
	605148	SOCKET CAB 16-WAY IDC .1"	3M	3452-6616EY		EA	1
	605154	SOCKET HOUSING 8-WAY .156"P	MOLEX	09-91-0800		EA	2
	605164	SOCKET HOUSING 2-WAY .1"P	MOLEX	22-01-2025		EA	1
	606014	JACKSOCKET 'D' CONNECTOR	T & B ANSLEY	609-006		EA	2
	611004	SCREW M3 X 6 POZIPAN SZP	GKN	SEE DRG		EA	16
	611007	SCREW M3 X 6 POZICSK SZP	GKN	SEE DRG		EA	46
	611008	SCREW M3 X 10 POZICSK SZP	GKN	SEE DRG		EA	6
	611016	SCREW M3 X 8 POZIPAN SZP	GKN	SEE DRG		EA	4
	611017	SCREW M3 X 16 POZIPAN SZP	GKN	SEE DRG		EA	2
	611035	SCREW M3 X 8 POZICSK TT BKZP	GKN	SEE DRG		EA	4
	611038	SCREW M4 X 12 SKT CSK HTSBKZP	UNBRAKO	SEE DRG		EA	12
	611058	SCREW M4 X 8 POZICSK SZP	GKN	SEE DRG		EA	4
	613005	WASHER M3 INT SHAKP SZP	GKN	SEE DRG		EA	7
	613007	WASHER M3 PLAIN SZP	GKN	SEE DRG		EA	4
	613029	WASHER M3 CRINKLE SS	GKN	SEE DRG		EA	20
	613047	WASHER M2.5 CRINKLE SS	GKN	SEE DRG		EA	2
	615002	NUT FULL M3 SZP	GKN	SEE DRG		EA	5
	618001	BUSH INSUL TO220	PHILIPS	56359C		EA	4
	630042	CLIP CABLE	RICHCO	CFCC-8		EA	4
	630408	CABLE N TO N MALE 0.85M RG214C	SUHNER	30-005127-10 (4425)	S	EA	1
	920178	MAINS LEAD IEC M/F 0.5m	RENDAR	R60070111		EA	1
	980020-1	KEYCAP SET 4800WB	WAVETEK	SEE DRG		EA	1

End

DESIG	PART NO	DESCRIPTION	PRINC MANUF	MANUF PART NUMBER	CLASS	UM	QUANTITY
R101	013321	RES MF 3K32 1% .12W 50PPM	MEC	H8 3K32 1% 50PPM	AP	EA	6
R102	013321	RES MF 3K32 1% .12W 50PPM	MEC	H8 3K32 1% 50PPM	AP	EA	-
R103	090105	RES PACK 100R X 4 2%	BECKMAN	L08-3S-101	A	EA	2
R104	090105	RES PACK 100R X 4 2%	BECKMAN	L08-3S-101	A	EA	-
R105	011001	RES MF 1K00 1% .12W 50PPM	MEC	H8 1K00 1% 50PPM	AP	EA	4
R106	012211	RES MF 2K21 1% .12W 50PPM	MEC	H8 2K21 1% 50PPM	AP	EA	5
R107	090133	RES PACK 6K8 X 4 2%	BECKMAN	L08-3S-682	A	EA	5
R108	090133	RES PACK 6K8 X 4 2%	BECKMAN	L08-3S-682	A	EA	-
R109	090133	RES PACK 6K8 X 4 2%	BECKMAN	L08-3S-682	A	EA	-
R110	016811	RES MF 6K81 1% .12W 50PPM	MEC	H8 6K81 1% 50PPM	A	EA	2
R111	090133	RES PACK 6K8 X 4 2%	BECKMAN	L08-3S-682	A	EA	-
R112	016811	RES MF 6K81 1% .12W 50PPM	MEC	H8 6K81 1% 50PPM	A	EA	-
R113	012218	RES MF 22R1 1% .12W 50PPM	MEC	H8 22R1 1% 50PPM	AP	EA	1
R114	011002	RES MF 10K0 1% .12W 50PPM	MEC	H8 10K0 1% 50PPM	AP	EA	7
R201	012212	RES MF 22K1 1% .12W 50PPM	MEC	H8 22K1 1% 50PPM	AP	EA	2
R202	018252	RES MF 82K5 1% .12W 50PPM	MEC	H8 82K5 1% 50PPM	AP	EA	1
R203	011003	RES MF 100K 1% .12W 50PPM	MEC	H8 100K 1% 50PPM	AP	EA	6
R204	013321	RES MF 3K32 1% .12W 50PPM	MEC	H8 3K32 1% 50PPM	AP	EA	-
R205	090132	RES PACK 4K7 X 4 2%	BECKMAN	L08-3S-472	A	EA	1
R209	011431	RES MF 1K43 1% .12W 50PPM	MEC	H8 1K43 1% 50PPM	A	EA	1
R210	011002	RES MF 10K0 1% .12W 50PPM	MEC	H8 10K0 1% 50PPM	AP	EA	-
R211	013010	RES MF 301R 1% .12W 50PPM	MEC	H8 301R 1% 50PPM	AP	EA	2
R212	011828	RES MF 18R2 1% .12W 50PPM	MEC	H8 18R2 1% 50PPM	AP	EA	1
R213	013010	RES MF 301R 1% .12W 50PPM	MEC	H8 301R 1% 50PPM	AP	EA	-
R215	011000	RES MF 100R 1% .12W 50PPM	MEC	H8 100R 1% 50PPM	AP	EA	3
R216	011008	RES MF 10R0 1% .12W 50PPM	MEC	H8 10R0 1% 50PPM	AP	EA	1
R217	011240	RES MF 124R 1% .12W 50PPM	MEC	H8 124R 1% 50PPM	A	EA	1
R218	017500	RES MF 750R 1% .12W 50PPM	MEC	H8 750R 1% 50PPM	A	EA	3
R219	014750	RES MF 475R 1% .12W 50PPM	MEC	H8 475R 1% 50PPM	AP	EA	1
R220	00000N	NOT FITTED	WAVETEK	00000N		EA	26
R221	044993	RES MF 499K 1% .12W 50PPM	MEC	H8 499K 1% 50PPM	A	EA	1
R222	00000N	NOT FITTED	WAVETEK	00000N		EA	-
R223	00000N	NOT FITTED	WAVETEK	00000N		EA	-
R224	00000N	NOT FITTED	WAVETEK	00000N		EA	-
R225	00000N	NOT FITTED	WAVETEK	00000N		EA	-
R226	011003	RES MF 100K 1% .12W 50PPM	MEC	H8 100K 1% 50PPM	AP	EA	-
R227	017682	RES MF 76K8 1% .12W 50PPM	MEC	H8 76K8 1% 50PPM	A	EA	1
R228	011072	RES MF 10K7 1% .12W 50PPM	MEC	H8 10K7 1% 50PPM	A	EA	1
R229	012052	RES MF 20K5 1% .12W 50PPM	MEC	H8 20K5 1% 50PPM	A	EA	1
R231	012103	RES MF 210K 1% .12W 50PPM	MEC	H8 210K 1% 50PPM	A	EA	1
R232	012211	RES MF 2K21 1% .12W 50PPM	MEC	H8 2K21 1% 50PPM	AP	EA	-
R233	014751	RES MF 4K75 1% .12W 50PPM	MEC	H8 4K75 1% 50PPM	AP	EA	7
R234	011003	RES MF 100K 1% .12W 50PPM	MEC	H8 100K 1% 50PPM	AP	EA	-
R236	011500	RES MF 150R 1% .12W 50PPM	MEC	H8 150R 1% 50PPM	AP	EA	3
R237	012212	RES MF 22K1 1% .12W 50PPM	MEC	H8 22K1 1% 50PPM	AP	EA	-

DESIG	PART NO	DESCRIPTION	PRINC MANUF	MANUF PART NUMBER	CLASS	UM	QUANTITY
R238	00000N	NOT FITTED	WAVETEK	00000N		EA	-
R239	00000N	NOT FITTED	WAVETEK	00000N		EA	-
R240	012430	RES MF 243R 1% .12W 50PPM	MEC	H8 243R 1% 50PPM	AP	EA	1
R241	011500	RES MF 150R 1% .12W 50PPM	MEC	H8 150R 1% 50PPM	AP	EA	-
R242	013920	RES MF 392R 1% .12W 50PPM	MEC	H8 392R 1% 50PPM	AP	EA	1
R301	011502	RES MF 15K0 1% .12W 50PPM	MEC	H8 15K0 1% 50PPM	AP	EA	1
R302	012001	RES MF 2K00 1% .12W 50PPM	MEC	H8 2K00 1% 50PPM	AP	EA	2
R303	012490	RES MF 249R 1% .12W 50PPM	MEC	H8 249R 1% 50PPM	A	EA	2
R304	012490	RES MF 249R 1% .12W 50PPM	MEC	H8 249R 1% 50PPM	A	EA	-
R305	011300	RES MF 130R 1% .12W 50PPM	MEC	H8 130R 1% 50PPM	AP	EA	2
R306	018250	RES MF 825R 1% .12W 50PPM	MEC	H8 825R 1% 50PPM	AP	EA	2
R308	016190	RES MF 619R 1% .12W 50PPM	MEC	H8 619R 1% 50PPM	AP	EA	1
R309	011241	RES MF 1K24 1% .12W 50PPM	MEC	H8 1K24 1% 50PPM	A	EA	1
R310	090131	RES PACK 10K X 4 2%	BECKMAN	L08-3S-103	A	EA	1
R313	011003	RES MF 100K 1% .12W 50PPM	MEC	H8 100K 1% 50PPM	AP	EA	-
R314	012262	RES MF 22K6 1% .12W 50PPM	MEC	H8 22K6 1% 50PPM	A	EA	1
R315	014321	RES MF 4K32 1% .12W 50PPM	MEC	H8 4K32 1% 50PPM	AP	EA	3
R316	090167	RES PACK 100K X 4 2%	BECKMAN	L08-3S-104	A	EA	1
R317	012211	RES MF 2K21 1% .12W 50PPM	MEC	H8 2K21 1% 50PPM	AP	EA	-
R318	017681	RES MF 7K68 1% .12W 50PPM	MEC	H8 7K68 1% 50PPM	A	EA	1
R319	019091	RES MF 9K09 1% .12W 50PPM	MEC	H8 9K09 1% 50PPM	AP	EA	3
R321	011001	RES MF 1K00 1% .12W 50PPM	MEC	H8 1K00 1% 50PPM	AP	EA	-
R322	019091	RES MF 9K09 1% .12W 50PPM	MEC	H8 9K09 1% 50PPM	AP	EA	-
R323	019091	RES MF 9K09 1% .12W 50PPM	MEC	H8 9K09 1% 50PPM	AP	EA	-
R324	014751	RES MF 4K75 1% .12W 50PPM	MEC	H8 4K75 1% 50PPM	AP	EA	-
R326	014751	RES MF 4K75 1% .12W 50PPM	MEC	H8 4K75 1% 50PPM	AP	EA	-
R328	012492	RES MF 24K9 1% .12W 50PPM	MEC	H8 24K9 1% 50PPM	A	EA	1
R329	014321	RES MF 4K32 1% .12W 50PPM	MEC	H8 4K32 1% 50PPM	AP	EA	-
R330	011501	RES MF 1K50 1% .12W 50PPM	MEC	H8 1K50 1% 50PPM	AP	EA	3
R332	014751	RES MF 4K75 1% .12W 50PPM	MEC	H8 4K75 1% 50PPM	AP	EA	-
R333	017500	RES MF 750R 1% .12W 50PPM	MEC	H8 750R 1% 50PPM	A	EA	-
R334	014751	RES MF 4K75 1% .12W 50PPM	MEC	H8 4K75 1% 50PPM	AP	EA	-
R335	017500	RES MF 750R 1% .12W 50PPM	MEC	H8 750R 1% 50PPM	A	EA	-
R337	018250	RES MF 825R 1% .12W 50PPM	MEC	H8 825R 1% 50PPM	AP	EA	-
R338	013320	RES MF 332R 1% .12W 50PPM	MEC	H8 332R 1% 50PPM	AP	EA	3
R401	016810	RES MF 681R 1% .12W 50PPM	MEC	H8 681R 1% 50PPM	A	EA	1
R402	011001	RES MF 1K00 1% .12W 50PPM	MEC	H8 1K00 1% 50PPM	AP	EA	-
R403	011300	RES MF 130R 1% .12W 50PPM	MEC	H8 130R 1% 50PPM	AP	EA	-
R404	011003	RES MF 100K 1% .12W 50PPM	MEC	H8 100K 1% 50PPM	AP	EA	-
R405	063104	RES CT 100K TOP ADJ S/T	BECKMAN	72PR100K	A	EA	1
R406	012000	RES MF 200R 1% .12W 50PPM	MEC	H8 200R 1% 50PPM	AP	EA	2
R408	013320	RES MF 332R 1% .12W 50PPM	MEC	H8 332R 1% 50PPM	AP	EA	-
R409	013320	RES MF 332R 1% .12W 50PPM	MEC	H8 332R 1% 50PPM	AP	EA	-
R410	050154	RES MF 100R 0.1% .12W 15PPM	MEC	H8 100R 0.1% 15PPM		EA	4
R411	050154	RES MF 100R 0.1% .12W 15PPM	MEC	H8 100R 0.1% 15PPM		EA	-

DESIG	PART NO	DESCRIPTION	PRINC MANUF	MANUF PART NUMBER	CLASS	UM	QUANTITY
R412	050154	RES MF 100R 0.1% .12W 15PPM	MEC	H8 100R 0.1% 15PPM		EA	-
R413	012000	RES MF 200R 1% .12W 50PPM	MEC	H8 200R 1% 50PPM	AP	EA	-
R414	011000	RES MF 100R 1% .12W 50PPM	MEC	H8 100R 1% 50PPM	AP	EA	-
R415	050154	RES MF 100R 0.1% .12W 15PPM	MEC	H8 100R 0.1% 15PPM		EA	-
R501	050155	RES MF 2K 0.1% .12W 15PPM	MEC	H8 2K 0.1% 15PPM		EA	2
R502	050155	RES MF 2K 0.1% .12W 15PPM	MEC	H8 2K 0.1% 15PPM		EA	-
R503	011002	RES MF 10K0 1% .12W 50PPM	MEC	H8 10K0 1% 50PPM	AP	EA	-
R504	011002	RES MF 10K0 1% .12W 50PPM	MEC	H8 10K0 1% 50PPM	AP	EA	-
R505	014992	RES MF 49K9 1% .12W 50PPM	MEC	H8 49K9 1% 50PPM	A	EA	2
R506	014992	RES MF 49K9 1% .12W 50PPM	MEC	H8 49K9 1% 50PPM	A	EA	-
R507	013321	RES MF 3K32 1% .12W 50PPM	MEC	H8 3K32 1% 50PPM	AP	EA	-
R508	011501	RES MF 1K50 1% .12W 50PPM	MEC	H8 1K50 1% 50PPM	AP	EA	-
R509	014751	RES MF 4K75 1% .12W 50PPM	MEC	H8 4K75 1% 50PPM	AP	EA	-
R510	014321	RES MF 4K32 1% .12W 50PPM	MEC	H8 4K32 1% 50PPM	AP	EA	-
R511	011000	RES MF 100R 1% .12W 50PPM	MEC	H8 100R 1% 50PPM	AP	EA	-
R512	012001	RES MF 2K00 1% .12W 50PPM	MEC	H8 2K00 1% 50PPM	AP	EA	-
R513	012211	RES MF 2K21 1% .12W 50PPM	MEC	H8 2K21 1% 50PPM	AP	EA	-
R514	011501	RES MF 1K50 1% .12W 50PPM	MEC	H8 1K50 1% 50PPM	AP	EA	-
R515	017501	RES MF 7K50 1% .12W 50PPM	MEC	H8 7K50 1% 50PPM	A	EA	1
R516	090168	RES PACK 1K X 4 2%	AB	770-83-1K	A	EA	1
R518	011001	RES MF 1K00 1% .12W 50PPM	MEC	H8 1K00 1% 50PPM	AP	EA	-
R519	012003	RES MF 200K 1% .12W 50PPM	MEC	H8 200K 1% 50PPM	AP	EA	2
R521	012003	RES MF 200K 1% .12W 50PPM	MEC	H8 200K 1% 50PPM	AP	EA	-
R522	012211	RES MF 2K21 1% .12W 50PPM	MEC	H8 2K21 1% 50PPM	AP	EA	-
R523	014751	RES MF 4K75 1% .12W 50PPM	MEC	H8 4K75 1% 50PPM	AP	EA	-
R524	011003	RES MF 100K 1% .12W 50PPM	MEC	H8 100K 1% 50PPM	AP	EA	-
R525	011002	RES MF 10K0 1% .12W 50PPM	MEC	H8 10K0 1% 50PPM	AP	EA	-
R526	013321	RES MF 3K32 1% .12W 50PPM	MEC	H8 3K32 1% 50PPM	AP	EA	-
R527	013321	RES MF 3K32 1% .12W 50PPM	MEC	H8 3K32 1% 50PPM	AP	EA	-
R528	011002	RES MF 10K0 1% .12W 50PPM	MEC	H8 10K0 1% 50PPM	AP	EA	-
R529	011002	RES MF 10K0 1% .12W 50PPM	MEC	H8 10K0 1% 50PPM	AP	EA	-
R530	011822	RES MF 18K2 1% .12W 50PPM	MEC	H8 18K2 1% 50PPM	AP	EA	2
R531	011822	RES MF 18K2 1% .12W 50PPM	MEC	H8 18K2 1% 50PPM	AP	EA	-
R532	090133	RES PACK 6K8 X 4 2%	BECKMAN	L08-3S-682	A	EA	-
R535	011500	RES MF 150R 1% .12W 50PPM	MEC	H8 150R 1% 50PPM	AP	EA	-
R536	015118	RES MF 51R1 1% .12W 50PPM	MEC	H8 51R1 1% 50PPM	AP	EA	1
C101	100472	CAP CP 4N7F 10% 100V 2C2	PHILIPS	2222 630 19472		EA	10
C102	100472	CAP CP 4N7F 10% 100V 2C2	PHILIPS	2222 630 19472		EA	-
C103	100472	CAP CP 4N7F 10% 100V 2C2	PHILIPS	2222 630 19472		EA	-
C104	100472	CAP CP 4N7F 10% 100V 2C2	PHILIPS	2222 630 19472		EA	-
C105	100472	CAP CP 4N7F 10% 100V 2C2	PHILIPS	2222 630 19472		EA	-
C106	100472	CAP CP 4N7F 10% 100V 2C2	PHILIPS	2222 630 19472		EA	-
C107	100472	CAP CP 4N7F 10% 100V 2C2	PHILIPS	2222 630 19472		EA	-
C108	100472	CAP CP 4N7F 10% 100V 2C2	PHILIPS	2222 630 19472		EA	-
C109	104026	CAP CM 47NF +80%-20% 50V	AVX	SR175E473ZAA	A	EA	54

DESIG	PART NO	DESCRIPTION	PRINC MANUF	MANUF PART NUMBER	CLASS	UM	QUANTITY
C110	150002	CAP DT 10UF 20% 16V	AVX	TAP106M016C	A	EA	11
C111	104026	CAP CM 47NF +80%-20% 50V	AVX	SR175E473ZAA	A	EA	-
C112	104026	CAP CM 47NF +80%-20% 50V	AVX	SR175E473ZAA	A	EA	-
C113	104026	CAP CM 47NF +80%-20% 50V	AVX	SR175E473ZAA	A	EA	-
C114	104026	CAP CM 47NF +80%-20% 50V	AVX	SR175E473ZAA	A	EA	-
C201	110041	CAP PE 10NF 20% 100V	WIMA	FKS2 0.01 20% 100V		EA	3
C202	150002	CAP DT 10UF 20% 16V	AVX	TAP106M016C	A	EA	-
C203	110041	CAP PE 10NF 20% 100V	WIMA	FKS2 0.01 20% 100V		EA	-
C204	110046	CAP PE 1UF 20% 63V	WIMA	MKS2 1.0 20% 63V		EA	3
C205	150002	CAP DT 10UF 20% 16V	AVX	TAP106M016C	A	EA	-
C206	110041	CAP PE 10NF 20% 100V	WIMA	FKS2 0.01 20% 100V		EA	-
C207	104055	CAP CM 3U3F 20% 50V	AVX	SR305E335MAA		EA	1
C208	104056	CAP CI 20NF 50V DIL14	ROGERS CORP	203A14		EA	1
C209	110035	CAP PE 220NF 20% 63V	WIMA	MKS2 0.22 20% 63V		EA	2
C210	104026	CAP CM 47NF +80%-20% 50V	AVX	SR175E473ZAA	A	EA	-
C211	104026	CAP CM 47NF +80%-20% 50V	AVX	SR175E473ZAA	A	EA	-
C212	104026	CAP CM 47NF +80%-20% 50V	AVX	SR175E473ZAA	A	EA	-
C213	110035	CAP PE 220NF 20% 63V	WIMA	MKS2 0.22 20% 63V		EA	-
C214	104026	CAP CM 47NF +80%-20% 50V	AVX	SR175E473ZAA	A	EA	-
C215	00000N	NOT FITTED	WAVETEK	00000N		EA	-
C218	104026	CAP CM 47NF +80%-20% 50V	AVX	SR175E473ZAA	A	EA	-
C219	104026	CAP CM 47NF +80%-20% 50V	AVX	SR175E473ZAA	A	EA	-
C220	150002	CAP DT 10UF 20% 16V	AVX	TAP106M016C	A	EA	-
C221	104026	CAP CM 47NF +80%-20% 50V	AVX	SR175E473ZAA	A	EA	-
C222	104026	CAP CM 47NF +80%-20% 50V	AVX	SR175E473ZAA	A	EA	-
C223	104026	CAP CM 47NF +80%-20% 50V	AVX	SR175E473ZAA	A	EA	-
C224	104026	CAP CM 47NF +80%-20% 50V	AVX	SR175E473ZAA	A	EA	-
C225	104026	CAP CM 47NF +80%-20% 50V	AVX	SR175E473ZAA	A	EA	-
C226	104026	CAP CM 47NF +80%-20% 50V	AVX	SR175E473ZAA	A	EA	-
C227	104026	CAP CM 47NF +80%-20% 50V	AVX	SR175E473ZAA	A	EA	-
C228	104026	CAP CM 47NF +80%-20% 50V	AVX	SR175E473ZAA	A	EA	-
C229	104026	CAP CM 47NF +80%-20% 50V	AVX	SR175E473ZAA	A	EA	-
C231	150002	CAP DT 10UF 20% 16V	AVX	TAP106M016C	A	EA	-
C232	104026	CAP CM 47NF +80%-20% 50V	AVX	SR175E473ZAA	A	EA	-
C233	150002	CAP DT 10UF 20% 16V	AVX	TAP106M016C	A	EA	-
C234	104026	CAP CM 47NF +80%-20% 50V	AVX	SR175E473ZAA	A	EA	-
C235	150002	CAP DT 10UF 20% 16V	AVX	TAP106M016C	A	EA	-
C236	104026	CAP CM 47NF +80%-20% 50V	AVX	SR175E473ZAA	A	EA	-
C237	102220	CAP CD 22PF 10% 500V N150	BECK	CD08PG22POKSCR	A	EA	1
C301	104026	CAP CM 47NF +80%-20% 50V	AVX	SR175E473ZAA	A	EA	-
C302	104026	CAP CM 47NF +80%-20% 50V	AVX	SR175E473ZAA	A	EA	-
C303	00000N	NOT FITTED	WAVETEK	00000N		EA	-
C304	00000N	NOT FITTED	WAVETEK	00000N		EA	-
C305	00000N	NOT FITTED	WAVETEK	00000N		EA	-
C306	104026	CAP CM 47NF +80%-20% 50V	AVX	SR175E473ZAA	A	EA	-

DESIG	PART NO	DESCRIPTION	PRINC MANUF	MANUF PART NUMBER	CLASS	UM	QUANTITY
C307	100472	CAP CP 4N7F 10% 100V 2C2	PHILIPS	2222 630 19472		EA	-
C308	100472	CAP CP 4N7F 10% 100V 2C2	PHILIPS	2222 630 19472		EA	-
C309	150006	CAP DT 4U7F 20% 16V	AVX	TAP475M016C	A	EA	2
C310	150006	CAP DT 4U7F 20% 16V	AVX	TAP475M016C	A	EA	-
C311	104026	CAP CM 47NF +80%-20% 50V	AVX	SR175E473ZAA	A	EA	-
C312	104026	CAP CM 47NF +80%-20% 50V	AVX	SR175E473ZAA	A	EA	-
C313	104026	CAP CM 47NF +80%-20% 50V	AVX	SR175E473ZAA	A	EA	-
C314	00000N	NOT FITTED	WAVETEK	00000N		EA	-
C315	104026	CAP CM 47NF +80%-20% 50V	AVX	SR175E473ZAA	A	EA	-
C316	00000N	NOT FITTED	WAVETEK	00000N		EA	-
C317	104026	CAP CM 47NF +80%-20% 50V	AVX	SR175E473ZAA	A	EA	-
C318	150002	CAP DT 10UF 20% 16V	AVX	TAP106M016C	A	EA	-
C319	104026	CAP CM 47NF +80%-20% 50V	AVX	SR175E473ZAA	A	EA	-
C320	150002	CAP DT 10UF 20% 16V	AVX	TAP106M016C	A	EA	-
C321	104026	CAP CM 47NF +80%-20% 50V	AVX	SR175E473ZAA	A	EA	-
C322	104026	CAP CM 47NF +80%-20% 50V	AVX	SR175E473ZAA	A	EA	-
C323	104026	CAP CM 47NF +80%-20% 50V	AVX	SR175E473ZAA	A	EA	-
C327	104026	CAP CM 47NF +80%-20% 50V	AVX	SR175E473ZAA	A	EA	-
C328	104026	CAP CM 47NF +80%-20% 50V	AVX	SR175E473ZAA	A	EA	-
C401	104026	CAP CM 47NF +80%-20% 50V	AVX	SR175E473ZAA	A	EA	-
C402	104026	CAP CM 47NF +80%-20% 50V	AVX	SR175E473ZAA	A	EA	-
C403	104026	CAP CM 47NF +80%-20% 50V	AVX	SR175E473ZAA	A	EA	-
C404	104045	CAP CP 1UF +80%-20% 50V	PHILIPS	CZ30C 105Z		EA	2
C405	104026	CAP CM 47NF +80%-20% 50V	AVX	SR175E473ZAA	A	EA	-
C406	104026	CAP CM 47NF +80%-20% 50V	AVX	SR175E473ZAA	A	EA	-
C407	104026	CAP CM 47NF +80%-20% 50V	AVX	SR175E473ZAA	A	EA	-
C408	104045	CAP CP 1UF +80%-20% 50V	PHILIPS	CZ30C 105Z		EA	-
C413	150015	CAP DT 10UF 20% 35V	AVX	TAP106M035C	A	EA	2
C417	104026	CAP CM 47NF +80%-20% 50V	AVX	SR175E473ZAA	A	EA	-
C418	104026	CAP CM 47NF +80%-20% 50V	AVX	SR175E473ZAA	A	EA	-
C419	104026	CAP CM 47NF +80%-20% 50V	AVX	SR175E473ZAA	A	EA	-
C420	150015	CAP DT 10UF 20% 35V	AVX	TAP106M035C	A	EA	-
C421	104081	CAP CA 0P47F 10% 500V	QUALITY COMPS	MC 0.47PF 10%		EA	2
C422	104081	CAP CA 0P47F 10% 500V	QUALITY COMPS	MC 0.47PF 10%		EA	-
C501	110066	CAP PE 2U2F 20% 50V	WIMA	MKS2 2.2 20% 50V		EA	4
C502	104084	CAP CM 10NF 10% 100V 0805 SMD	AVX	08051C103KAOA	A	EA	2
C503	104084	CAP CM 10NF 10% 100V 0805 SMD	AVX	08051C103KAOA	A	EA	-
C504	110066	CAP PE 2U2F 20% 50V	WIMA	MKS2 2.2 20% 50V		EA	-
C505	110046	CAP PE 1UF 20% 63V	WIMA	MKS2 1.0 20% 63V		EA	-
C506	110046	CAP PE 1UF 20% 63V	WIMA	MKS2 1.0 20% 63V		EA	-
C507	104026	CAP CM 47NF +80%-20% 50V	AVX	SR175E473ZAA	A	EA	-
C508	104026	CAP CM 47NF +80%-20% 50V	AVX	SR175E473ZAA	A	EA	-
C509	104024	CAP CD 10NF +80%-20% 100V	THOMSON ELECT COMPS	5UK410SABAG		EA	1
C510	120016	CAP PC 2N2F 20% 100V	WIMA	FKC2 2200 20% 100V		EA	1
C511	104026	CAP CM 47NF +80%-20% 50V	AVX	SR175E473ZAA	A	EA	-



DESIG	PART NO	DESCRIPTION	PRINC MANUF	MANUF PART NUMBER	CLASS	UM	QUANTITY
C512	104026	CAP CM 47NF +80%-20% 50V	AVX	SR175E473ZAA	A	EA	-
C513	110066	CAP PE 2U2F 20% 50V	WIMA	MKS2 2.2 20% 50V		EA	-
C514	110066	CAP PE 2U2F 20% 50V	WIMA	MKS2 2.2 20% 50V		EA	-
C515	110051	CAP PE 470NF 10% 63V	WIMA	MKS2 0.47 10% 63V		EA	2
C516	110051	CAP PE 470NF 10% 63V	WIMA	MKS2 0.47 10% 63V		EA	-
C517	104026	CAP CM 47NF +80%-20% 50V	AVX	SR175E473ZAA	A	EA	-
C518	104026	CAP CM 47NF +80%-20% 50V	AVX	SR175E473ZAA	A	EA	-
C519	150002	CAP DT 10UF 20% 16V	AVX	TAP106M016C	A	EA	-
C520	104026	CAP CM 47NF +80%-20% 50V	AVX	SR175E473ZAA	A	EA	-
C521	150002	CAP DT 10UF 20% 16V	AVX	TAP106M016C	A	EA	-
C522	104026	CAP CM 47NF +80%-20% 50V	AVX	SR175E473ZAA	A	EA	-
C523	100220	CAP CP 22PF 2% 100V N150	PHILIPS	2222 683 34229		EA	1
C524	100680	CAP CP 68PF 2% 100V N150	PHILIPS	2222 683 34689		EA	1
C525	100330	CAP CP 33PF 2% 100V N150	PHILIPS	2222 683 34339		EA	2
C526	100330	CAP CP 33PF 2% 100V N150	PHILIPS	2222 683 34339		EA	-
D101	200001	DIODE GP 75mA 75V	NATIONAL	1N4148	A	EA	32
D102	200001	DIODE GP 75mA 75V	NATIONAL	1N4148	A	EA	-
D103	200001	DIODE GP 75mA 75V	NATIONAL	1N4148	A	EA	-
D105	200001	DIODE GP 75mA 75V	NATIONAL	1N4148	A	EA	-
D106	200001	DIODE GP 75mA 75V	NATIONAL	1N4148	A	EA	-
D107	200001	DIODE GP 75mA 75V	NATIONAL	1N4148	A	EA	-
D108	200001	DIODE GP 75mA 75V	NATIONAL	1N4148	A	EA	-
D109	200001	DIODE GP 75mA 75V	NATIONAL	1N4148	A	EA	-
D110	200001	DIODE GP 75mA 75V	NATIONAL	1N4148	A	EA	-
D111	200001	DIODE GP 75mA 75V	NATIONAL	1N4148	A	EA	-
D112	200001	DIODE GP 75mA 75V	NATIONAL	1N4148	A	EA	-
D113	200001	DIODE GP 75mA 75V	NATIONAL	1N4148	A	EA	-
D114	200001	DIODE GP 75mA 75V	NATIONAL	1N4148	A	EA	-
D115	200001	DIODE GP 75mA 75V	NATIONAL	1N4148	A	EA	-
D116	200001	DIODE GP 75mA 75V	NATIONAL	1N4148	A	EA	-
D117	200001	DIODE GP 75mA 75V	NATIONAL	1N4148	A	EA	-
D201	210033	DIODE ZN 3V3 400mW	MOTOROLA	BZX79C3V3	A	EA	1
D202	00000N	NOT FITTED	WAVETEK	00000N		EA	-
D203	00000N	NOT FITTED	WAVETEK	00000N		EA	-
D204	200001	DIODE GP 75mA 75V	NATIONAL	1N4148	A	EA	-
D205	213011	DIODE VR 1V4 250mW	PHILIPS	BZV86-1V4		EA	1
D301	200001	DIODE GP 75mA 75V	NATIONAL	1N4148	A	EA	-
D302	200001	DIODE GP 75mA 75V	NATIONAL	1N4148	A	EA	-
D303	200001	DIODE GP 75mA 75V	NATIONAL	1N4148	A	EA	-
D304	200001	DIODE GP 75mA 75V	NATIONAL	1N4148	A	EA	-
D305	200001	DIODE GP 75mA 75V	NATIONAL	1N4148	A	EA	-
D306	200001	DIODE GP 75mA 75V	NATIONAL	1N4148	A	EA	-
D307	200001	DIODE GP 75mA 75V	NATIONAL	1N4148	A	EA	-
D308	200001	DIODE GP 75mA 75V	NATIONAL	1N4148	A	EA	-
D309	200001	DIODE GP 75mA 75V	NATIONAL	1N4148	A	EA	-

DESIG	PART NO	DESCRIPTION	PRINC MANUF	MANUF PART NUMBER	CLASS	UM	QUANTITY
D310	200001	DIODE GP 75mA 75V	NATIONAL	1N4148	A	EA	-
D311	200001	DIODE GP 75mA 75V	NATIONAL	1N4148	A	EA	-
D312	214012	DIODE ZN 2V45 2.8% 150PPM	GEC/PLESSEY	ZN458	A	EA	2
D313	214012	DIODE ZN 2V45 2.8% 150PPM	GEC/PLESSEY	ZN458	A	EA	-
D501	200034	DIODE SB RING MODULATOR	HP	5082-2831		EA	1
D502	220010	DIODE SB	HP	1N6263	A	EA	2
D503	220010	DIODE SB	HP	1N6263	A	EA	-
D504	200001	DIODE GP 75mA 75V	NATIONAL	1N4148	A	EA	-
D505	200001	DIODE GP 75mA 75V	NATIONAL	1N4148	A	EA	-
D506	200001	DIODE GP 75mA 75V	NATIONAL	1N4148	A	EA	-
D507	200001	DIODE GP 75mA 75V	NATIONAL	1N4148	A	EA	-
Q501	230118	TRAN JFET P-CHAN	NATIONAL	J177	A	EA	1
Q502	250004	TRAN PNP TO92	MOTOROLA	2N3906	A	EA	1
U101	280086	IC DIG BUFF8 GPIB	MOTOROLA	MC3447		EA	1
U102	00000N	NOT FITTED	WAVETEK	00000N		EA	-
U103	00000N	NOT FITTED	WAVETEK	00000N		EA	-
U104	280024	IC DIG BUFF6 3S	MOTOROLA	MC14503BCP	A	EA	2
U105	280024	IC DIG BUFF6 3S	MOTOROLA	MC14503BCP	A	EA	-
U106	280166	IC DIG NAND2 X4	TEXAS	SN74HCT00N	A	EA	2
U108	401125-1	ASSY FPLD I/F CONTROL 4800WB	WAVETEK	SEE DRG		EA	1
U109	270079	IC DIG FLIP FLOP4 D MR	NATIONAL	DM74LS175N	A	EA	1
U110	280203	IC DIG FLIP FLOP6 D MR	PHILIPS	74HCT174N		EA	3
U111	280203	IC DIG FLIP FLOP6 D MR	PHILIPS	74HCT174N		EA	-
U112	280203	IC DIG FLIP FLOP6 D MR	PHILIPS	74HCT174N		EA	-
U201	290149	IC DIG CMOS TIMER	HARRIS	ICM7555IPA		EA	1
U202	280011	IC DIG FLIP FLOP D X2	MOTOROLA	MC14013BCP	A	EA	2
U203	280017	IC DIG INV X6	MOTOROLA	MC14069UBCP	A	EA	1
U204	280011	IC DIG FLIP FLOP D X2	MOTOROLA	MC14013BCP	A	EA	-
U205	270075	IC DIG FLIP FLOP D X2	NATIONAL	DM74LS74AN		EA	1
U206	401126-1	ASSY EPROM DDS FREQ 4800WB	WAVETEK	SEE DRG		EA	1
U207	280008	IC DIG NAND2 X4	MOTOROLA	MC14011BCP	A	EA	1
U208	401324-1	ASSY DDS MODULE 4800WB	WAVETEK	SEE DRG		EA	1
U209	260151	IC LIN OP AMP 200MHz I FBCK	ELANTEC	EL2070CN	S	EA	1
U210	260075	IC LIN V COMP DUAL	NATIONAL	LM2903N	A	EA	6
U301	260039	IC LIN OP AMP QUAD	NATIONAL	LM324N	A	EA	1
U302	260075	IC LIN V COMP DUAL	NATIONAL	LM2903N	A	EA	-
U303	260075	IC LIN V COMP DUAL	NATIONAL	LM2903N	A	EA	-
U304	260075	IC LIN V COMP DUAL	NATIONAL	LM2903N	A	EA	-
U305	260075	IC LIN V COMP DUAL	NATIONAL	LM2903N	A	EA	-
U306	280166	IC DIG NAND2 X4	TEXAS	SN74HCT00N	A	EA	-
U401	260160	IC LIN OP AMP WIDE BAND	COMLINEAR	CLC207AI	S	EA	2
U402	260160	IC LIN OP AMP WIDE BAND	COMLINEAR	CLC207AI	S	EA	-
U501	260050	IC LIN OP AMP DUAL FET I/P	NATIONAL	LF412CN		EA	2
U502	260075	IC LIN V COMP DUAL	NATIONAL	LM2903N	A	EA	-
U503	260050	IC LIN OP AMP DUAL FET I/P	NATIONAL	LF412CN		EA	-

DESIG	PART NO	DESCRIPTION	PRINC MANUF	MANUF PART NUMBER	CLASS	UM	QUANTITY
K301	330070	RELAY 2PCO 24V	MATSUSHITA	TQ2-24V		EA	4
K305	330070	RELAY 2PCO 24V	MATSUSHITA	TQ2-24V		EA	-
K306	330070	RELAY 2PCO 24V	MATSUSHITA	TQ2-24V		EA	-
K308	330070	RELAY 2PCO 24V	MATSUSHITA	TQ2-24V		EA	-
J101	604076	PLUG PCB 16-WAY .1"X.1" GRID	3M	2516-6002UN		EA	1
J201	604121	PLUG PCB 4-WAY .156 RA GD PL	MOLEX	26-48-2042		EA	2
J301	604085	PLUG PCB 2-WAY .1"	MOLEX	22-29-2021		EA	1
J401	604121	PLUG PCB 4-WAY .156 RA GD PL	MOLEX	26-48-2042		EA	-
J404	602028	SOCKET PCB SMC ELBOW	SUHNER	85SMA-50-0-1/111		EA	1
J501	604087	PLUG PCB 8-WAY .1"	MOLEX	22-29-2081		EA	1
E101	920261	FERRITE 60R@100MHz PCB RADIAL	MURATA	BL02RN1-R62	S	EA	20
E201	920261	FERRITE 60R@100MHz PCB RADIAL	MURATA	BL02RN1-R62	S	EA	-
E202	920261	FERRITE 60R@100MHz PCB RADIAL	MURATA	BL02RN1-R62	S	EA	-
E203	920261	FERRITE 60R@100MHz PCB RADIAL	MURATA	BL02RN1-R62	S	EA	-
E204	920261	FERRITE 60R@100MHz PCB RADIAL	MURATA	BL02RN1-R62	S	EA	-
E205	920261	FERRITE 60R@100MHz PCB RADIAL	MURATA	BL02RN1-R62	S	EA	-
E206	920261	FERRITE 60R@100MHz PCB RADIAL	MURATA	BL02RN1-R62	S	EA	-
E207	920261	FERRITE 60R@100MHz PCB RADIAL	MURATA	BL02RN1-R62	S	EA	-
E301	920261	FERRITE 60R@100MHz PCB RADIAL	MURATA	BL02RN1-R62	S	EA	-
E302	920261	FERRITE 60R@100MHz PCB RADIAL	MURATA	BL02RN1-R62	S	EA	-
E303	920261	FERRITE 60R@100MHz PCB RADIAL	MURATA	BL02RN1-R62	S	EA	-
E304	920261	FERRITE 60R@100MHz PCB RADIAL	MURATA	BL02RN1-R62	S	EA	-
E405	920261	FERRITE 60R@100MHz PCB RADIAL	MURATA	BL02RN1-R62	S	EA	-
E406	920261	FERRITE 60R@100MHz PCB RADIAL	MURATA	BL02RN1-R62	S	EA	-
E407	920261	FERRITE 60R@100MHz PCB RADIAL	MURATA	BL02RN1-R62	S	EA	-
E408	920261	FERRITE 60R@100MHz PCB RADIAL	MURATA	BL02RN1-R62	S	EA	-
E409	920261	FERRITE 60R@100MHz PCB RADIAL	MURATA	BL02RN1-R62	S	EA	-
E410	920261	FERRITE 60R@100MHz PCB RADIAL	MURATA	BL02RN1-R62	S	EA	-
E411	00000N	NOT FITTED	WAVETEK	00000N		EA	-
E413	00000N	NOT FITTED	WAVETEK	00000N		EA	-
E414	00000N	NOT FITTED	WAVETEK	00000N		EA	-
E415	00000N	NOT FITTED	WAVETEK	00000N		EA	-
E416	00000N	NOT FITTED	WAVETEK	00000N		EA	-
E417	00000N	NOT FITTED	WAVETEK	00000N		EA	-
E418	00000N	NOT FITTED	WAVETEK	00000N		EA	-
E419	00000N	NOT FITTED	WAVETEK	00000N		EA	-
E501	920261	FERRITE 60R@100MHz PCB RADIAL	MURATA	BL02RN1-R62	S	EA	-
E502	920261	FERRITE 60R@100MHz PCB RADIAL	MURATA	BL02RN1-R62	S	EA	-
TL201	620013-1	TEST LOOP	WAVETEK	SEE DRG		EA	2
TL401	620013-1	TEST LOOP	WAVETEK	SEE DRG		EA	-
TL501	604046	PLUG PCB 3-WAY .1"	MOLEX	22-10-2031		EA	1
TP101	620007	TEST POINT TERMINAL 1.6 PCB	MICROVAR	TYPE C29		EA	20
TP102	620007	TEST POINT TERMINAL 1.6 PCB	MICROVAR	TYPE C29		EA	-
TP103	620007	TEST POINT TERMINAL 1.6 PCB	MICROVAR	TYPE C29		EA	-
TP201	620007	TEST POINT TERMINAL 1.6 PCB	MICROVAR	TYPE C29		EA	-

DESIG	PART NO	DESCRIPTION	PRINC MANUF	MANUF PART NUMBER	CLASS	UM	QUANTITY
TP202	620007	TEST POINT TERMINAL 1.6 PCB	MICROVAR	TYPE C29		EA	-
TP203	620007	TEST POINT TERMINAL 1.6 PCB	MICROVAR	TYPE C29		EA	-
TP204	00000N	NOT FITTED	WAVETEK	00000N		EA	-
TP205	620007	TEST POINT TERMINAL 1.6 PCB	MICROVAR	TYPE C29		EA	-
TP206	620007	TEST POINT TERMINAL 1.6 PCB	MICROVAR	TYPE C29		EA	-
TP207	620007	TEST POINT TERMINAL 1.6 PCB	MICROVAR	TYPE C29		EA	-
TP301	620007	TEST POINT TERMINAL 1.6 PCB	MICROVAR	TYPE C29		EA	-
TP302	620007	TEST POINT TERMINAL 1.6 PCB	MICROVAR	TYPE C29		EA	-
TP303	620007	TEST POINT TERMINAL 1.6 PCB	MICROVAR	TYPE C29		EA	-
TP401	620007	TEST POINT TERMINAL 1.6 PCB	MICROVAR	TYPE C29		EA	-
TP402	620007	TEST POINT TERMINAL 1.6 PCB	MICROVAR	TYPE C29		EA	-
TP501	620007	TEST POINT TERMINAL 1.6 PCB	MICROVAR	TYPE C29		EA	-
TP502	620007	TEST POINT TERMINAL 1.6 PCB	MICROVAR	TYPE C29		EA	-
TP503	620007	TEST POINT TERMINAL 1.6 PCB	MICROVAR	TYPE C29		EA	-
TP504	620007	TEST POINT TERMINAL 1.6 PCB	MICROVAR	TYPE C29		EA	-
TP505	620007	TEST POINT TERMINAL 1.6 PCB	MICROVAR	TYPE C29		EA	-
TP506	620007	TEST POINT TERMINAL 1.6 PCB	MICROVAR	TYPE C29		EA	-
S101	700137	SWITCH 16POS HEX TOP ADJ DIL	OMRON	A6C-16R	S	EA	4
S102	700114	SWITCH 1PST X 6 DIL	AB ELECTRONICS	206-006ST	A	EA	1
S103	700065	SWITCH 1PNO MOMENTARY	LIPA & ISOSTAT	532.000.007	A	EA	1
S104	700137	SWITCH 16POS HEX TOP ADJ DIL	OMRON	A6C-16R	S	EA	-
S105	700137	SWITCH 16POS HEX TOP ADJ DIL	OMRON	A6C-16R	S	EA	-
S106	700137	SWITCH 16POS HEX TOP ADJ DIL	OMRON	A6C-16R	S	EA	-
Y201	800039	CRYSTAL OSC 81.92MHZ ECL	ADVANCED CRYSTAL TEC	ACT1400-C00E-81.92MH	A	EA	1
B201	920265	FAN 12V AXIAL 41x41x12mm	MICRONEL	F41MM-012XK	S	EA	1
FL201	920263	FILTER LOW PASS DC-32MHz	MINI-CIRCUITS	PLP-30	S	EA	2
FL202	920263	FILTER LOW PASS DC-32MHz	MINI-CIRCUITS	PLP-30	S	EA	-
	401124-1	ASSY CABLE OP/ATTEN S/R 4800WB	WAVETEK	SEE DRG		EA	1
	410482-1	PCB WIDE BAND 4800WB	MANCHESTER CIRCUITS	SEE DRG	G2	EA	1
	420098	LABEL SERIAL/ASSY No	BRADY	DAT-G4-502		EA	1
	420112-1	LABEL SSD WARNING 12 X 12mm	BRADY	SSW8D	A	EA	1
	450975-1	BRACKET ATTENUATOR MTG 4800WB	FARNELL TECH	SEE DRG		EA	1
	450991-1	COVER FAN 4800WB	FARNELL TECH	SEE DRG		EA	1
	540001	WIRE 1/.56 TINNED COPPER 24SWG	BICC	SEE DRG	A	AR	1
	605124	SOCKET PCB 10-WAY SIL	AUGAT	510-AG91D-10		EA	4
	605127	SOCKET LINK 2-WAY .1" BLK	ASSMANN	AKSPL-G		EA	1
	605175	SOCKET PCB 24-WAY DIL 0.3P	HARWIN	D2924	A	EA	1
	605199	SOCKET PCB 32-WAY DIL 0.6P	HARWIN	D2832-01		EA	1
	611016	SCREW M3 X 8 POZIPAN SZP	GKN	SEE DRG		EA	3
	611027	SCREW M3 X 20 POZIPAN SZP	GKN	SEE DRG		EA	4
	611100	SCREW 4-40 X 1/2 POZIPAN SZP	GKN	SEE DRG		EA	2
	612004-1	STANDOFF M3 X 4	SWIFT ENGINEERING	SEE DRG		EA	3
	613004	WASHER 4-40 UNC INT SHAKP SZP	GKN	SEE DRG		EA	2
	613005	WASHER M3 INT SHAKP SZP	GKN	SEE DRG		EA	3
	613007	WASHER M3 PLAIN SZP	GKN	SEE DRG		EA	3

DESIG	PART NO	DESCRIPTION	PRINC MANUF	MANUF PART NUMBER	CLASS	UM	QUANTITY
	613029	WASHER M3 CRINKLE SS	GKN	SEE DRG		EA	4
	615002	NUT FULL M3 SZP	GKN	SEE DRG		EA	4
	618004	PAD MTG T018	JERMYN	T018-008D		EA	2
	630036	BEAD CERAMIC 18 SWG	PARK ROYAL PORCELAIN	No1/D0005		EA	6
	630243	BEAD GLASS 2.4 X 0.81 X 1.8	MANSOL PREFORMS LT	M5363B/3		EA	4
	920269	FERRITE 3 OD 1 ID 4 LG	PHILIPS	4330 030 3312	S	EA	1
	920275	HEATSINK TO-8	THERMALLOY	2268B	S	EA	2
AT401	920264	ATTENUATOR PROG 10-70 dB	WAVETEK COMM DIV	P558	S	EA	1

End

DESIG	PART NO	DESCRIPTION	PRINC MANUF	MANUF PART NUMBER	CLASS	UM	QUANTITY
R101	017151	RES MF 7K15 1% .12W 50PPM	MEC	H8 7K15 1% 50PPM	A	EA	1
R102	016490	RES MF 649R 1% .12W 50PPM	MEC	H8 649R 1% 50PPM	A	EA	1
R103	063102	RES CT 1K TOP ADJ S/T	BECKMAN	72PR1K	A	EA	1
R104	011820	RES MF 182R 1% .12W 50PPM	MEC	H8 182R 1% 50PPM	A	EA	1
R105	063201	RES CT 200R HORIZ S/T	BECKMAN	72PR200R	A	EA	1
R106	012151	RES MF 2K15 1% .12W 50PPM	MEC	H8 2K15 1% 50PPM	A	EA	1
R107	017158	RES MF 71R5 1% .12W 50PPM	MEC	H8 71R5 1% 50PPM	A	EA	1
R108	011821	RES MF 1K82 1% .12W 50PPM	MEC	H8 1K82 1% 50PPM	A	EA	1
R109	014750	RES MF 475R 1% .12W 50PPM	MEC	H8 475R 1% 50PPM	A	EA	1
R110	011001	RES MF 1K00 1% .12W 50PPM	MEC	H8 1K00 1% 50PPM	A	EA	1
R111	011000	RES MF 100R 1% .12W 50PPM	MEC	H8 100R 1% 50PPM	A	EA	1
R112	041004	RES MF 1M00 1% .12W 50PPM	MEC	H8 1M00 1% 50PPM	A	EA	1
R113	090235	VARISTOR 275Vrms 20J	PHILIPS	2322 593 52716		EA	1
C101	180053	CAP AE 1000UF +50/-10% 40V	PHILIPS	2222 032 17102		EA	2
C102	110051	CAP PE 470NF 10% 63V	WIMA	MKS2 0.47 10% 63V		EA	2
C103	180053	CAP AE 1000UF +50/-10% 40V	PHILIPS	2222 032 17102		EA	-
C104	110051	CAP PE 470NF 10% 63V	WIMA	MKS2 0.47 10% 63V		EA	-
C105	180065	CAP AE 47UF 20% 25V	NIPPON CHEMI-CON	KMEVB47/25M	A	EA	2
C106	104026	CAP CM 47NF +80%-20% 50V	AVX	SR175E473ZAA	A	EA	4
C107	180065	CAP AE 47UF 20% 25V	NIPPON CHEMI-CON	KMEVB47/25M	A	EA	-
C108	104026	CAP CM 47NF +80%-20% 50V	AVX	SR175E473ZAA	A	EA	-
C109	180062	CAP AE 2200UF 20% 25V	NIPPON CHEMI-CON	KMEVB2200/25M	A	EA	2
C110	110042	CAP PE 100NF 20% 63V	WIMA	MKS2 0.1 20% 63V		EA	2
C111	180062	CAP AE 2200UF 20% 25V	NIPPON CHEMI-CON	KMEVB2200/25M	A	EA	-
C112	110042	CAP PE 100NF 20% 63V	WIMA	MKS2 0.1 20% 63V		EA	-
C113	150024	CAP DT 47UF 20% 16V	AVX	TAP476M016C	A	EA	2
C115	150024	CAP DT 47UF 20% 16V	AVX	TAP476M016C	A	EA	-
C117	150002	CAP DT 10UF 20% 16V	AVX	TAP106M016C	A	EA	1
C118	110046	CAP PE 1UF 20% 50V	WIMA	MKS2 1.0 20% 50V	A	EA	1
C201	104026	CAP CM 47NF +80%-20% 50V	AVX	SR175E473ZAA	A	EA	-
C202	104026	CAP CM 47NF +80%-20% 50V	AVX	SR175E473ZAA	A	EA	-
D101	209003	DIODE BR 1A5 100V	GI	W01G	A	EA	2
D102	209003	DIODE BR 1A5 100V	GI	W01G	A	EA	-
D103	213039	DIODE TS 18V 5/500W	UNITRODE	TVS518	A	EA	2
D104	213039	DIODE TS 18V 5/500W	UNITRODE	TVS518	A	EA	-
D105	213006	DIODE TS 5V 5/500W	UNITRODE	TVS505	A	EA	2
D106	213006	DIODE TS 5V 5/500W	UNITRODE	TVS505	A	EA	-
D107	200006	DIODE GP 1A 600V	NATIONAL	1N4005	A	EA	2
D108	200006	DIODE GP 1A 600V	NATIONAL	1N4005	A	EA	-
D109	210100	DIODE ZN 10V 400mW	MOTOROLA	BZX79C10	A	EA	2
D110	210100	DIODE ZN 10V 400mW	MOTOROLA	BZX79C10	A	EA	-
D111	220054	DIODE SCR 5A 600V	TEXAS	TIC106M		EA	1
D112	209037	DIODE BR 1A5 1000V	GI	W10G		EA	1
Q101	230029	TRAN JFET N-CHAN	SILICONIX	J309	A	EA	1
U101	260155	IC LIN REG 5-20V 1A LO DRPOUT	NATIONAL	LM2941CT		EA	1

- 8 JUN 1995

DESIG	PART NO	DESCRIPTION	PRINC MANUF	MANUF PART NUMBER	CLASS	UM	QUANTITY
U102	260038	IC LIN REG -1.2-37V 1A	NATIONAL	LM337T	A	EA	1
U103	260152	IC LIN REG 5V 1A LOW DROPOUT	NATIONAL	LM2940CT-5.0		EA	1
U104	260153	IC LIN REG -5V 1A	NATIONAL	LM7905CT		EA	1
T101	300040	TRANSF MAINS 18VA 18+18V	FARNELL	178-375		EA	1
T102	300039	TRANSF MAINS 18VA 9+9V	FARNELL	149-171		EA	1
T103	300043-1	TRANSF I SENSE 4800WB	SIGA	SEE DRG		EA	1
K201	330070	RELAY 2PCO 24V	MATSUSHITA	TQ2-24V		EA	2
K202	330070	RELAY 2PCO 24V	MATSUSHITA	TQ2-24V		EA	-
J101	605227	SOCKET MAINS OUTLET 10A PCB	BULGIN	PX0675/PC/12599		EA	1
J102	605082	SOCKET MAINS INLET 10A PCB	BULGIN	PX0580/PC/12132		EA	1
J104	604121	PLUG PCB 4-WAY .156 RT ANG GPL	MOLEX	26-48-2042		EA	2
J105	604121	PLUG PCB 4-WAY .156 RT ANG GPL	MOLEX	26-48-2042		EA	-
J201	605229	SOCKET PCB 8-WAY CIRC	LEMO	ECG.2B.306.CLV	S	EA	2
J202	605229	SOCKET PCB 8-WAY CIRC	LEMO	ECG.2B.306.CLV	S	EA	-
J203	604087	PLUG PCB 8-WAY .1"	MOLEX	22-29-2081		EA	1
TP101	620007	TEST POINT TERMINAL	MICROVAR	TYPE C30		EA	7
TP102	620007	TEST POINT TERMINAL	MICROVAR	TYPE C30		EA	-
TP103	620007	TEST POINT TERMINAL	MICROVAR	TYPE C30		EA	-
TP104	620007	TEST POINT TERMINAL	MICROVAR	TYPE C30		EA	-
TP105	620007	TEST POINT TERMINAL	MICROVAR	TYPE C30		EA	-
TP106	620007	TEST POINT TERMINAL	MICROVAR	TYPE C30		EA	-
TP107	620007	TEST POINT TERMINAL	MICROVAR	TYPE C30		EA	-
S101	700138	SWITCH 2P2W SLIDE PCB	ITW	18-000-0019		EA	2
S102	700138	SWITCH 2P2W SLIDE PCB	ITW	18-000-0019		EA	-
F101	920084	FUSE 500mA 250V 20mm (T)	BELLING LEE	L2080A/.500		EA	2
F102	920084	FUSE 500mA 250V 20mm (T)	BELLING LEE	L2080A/.500		EA	-
F103	920127	FUSE 2A 250V 20mm (T)	BELLING LEE	L2080A/2		EA	2
F104	920127	FUSE 2A 250V 20mm (T)	BELLING LEE	L2080A/2		EA	-
F105	920272	FUSE 250mA 250V 20mm (T)	BELLING LEE	L2080/250mA	A	EA	1
F106	920273	FUSE 5A 250V 20mm (T)	SCHURTER	001.2511		EA	1
FL101	920270	FILTER MAINS 0.8A PCB MNT	BELLING LEE	SF3010-1/08		EA	1
FL102	920262	FILTER EMI WIDE BAND	MURATA	DSS310H-55B222M250	S	EA	4
FL103	920262	FILTER EMI WIDE BAND	MURATA	DSS310H-55B222M250	S	EA	-
FL104	920262	FILTER EMI WIDE BAND	MURATA	DSS310H-55B222M250	S	EA	-
FL105	920262	FILTER EMI WIDE BAND	MURATA	DSS310H-55B222M250	S	EA	-
	400184-2	ASSY EARTH BRAID	WAVETEK	SEE DRG		EA	2
	410483-2	PCB PSU 4800WB	MANCHESTER CIRCUITS	SEE DRG	G1	EA	1
	420098	LABEL SERIAL/ASSY No	BRADY	DAT-G4-502		EA	1
	420112-1	LABEL SSD WARNING 12 X 12mm	BRADY	SSW8D	A	EA	1
	450513-1	HEATSINK DIG 1281	FARNELL TECH	SEE DRG		EA	1
	451013-1	INSULATOR TOP PS 4800WB	WAVETEK	SEE DRG		EA	1
	590031	SLEEVE HS 3.2mm YLW	RS COMPONENTS	399-502		AR	1
	611008	SCREW M3 X 10 POZICSK SZP	GKN	SEE DRG		EA	4
	611016	SCREW M3 X 8 POZIPAN SZP	GKN	SEE DRG		EA	2
	612062	SPACER 19.1mm NYLON	RICHCO	MSPS-12	S	EA	5

DESIG	PART NO	DESCRIPTION	PRINC MANUF	MANUF PART NUMBER	CLASS	UM	QUANTITY
	613029	WASHER M3 CRINKLE SS	GKN	SEE DRG		EA	6
	615002	NUT FULL M3 SZP	GKN	SEE DRG		EA	4
	618001	BUSH INSUL TO220	PHILIPS	56359C		EA	4
	618010	PAD INSUL SIL TO220	WARTH	K177-NA-353		EA	4
	630024	BEAD CERAMIC 16 SWG	PARK ROYAL PORCELAIN	No2/D0006		EA	8
	920126	FUSE HOLDER PCB 20mm	BELLING LEE	L1426		EA	4
	920268	FUSE HOLDER 20mm PCB	BULGIN	FX0457		EA	2

End

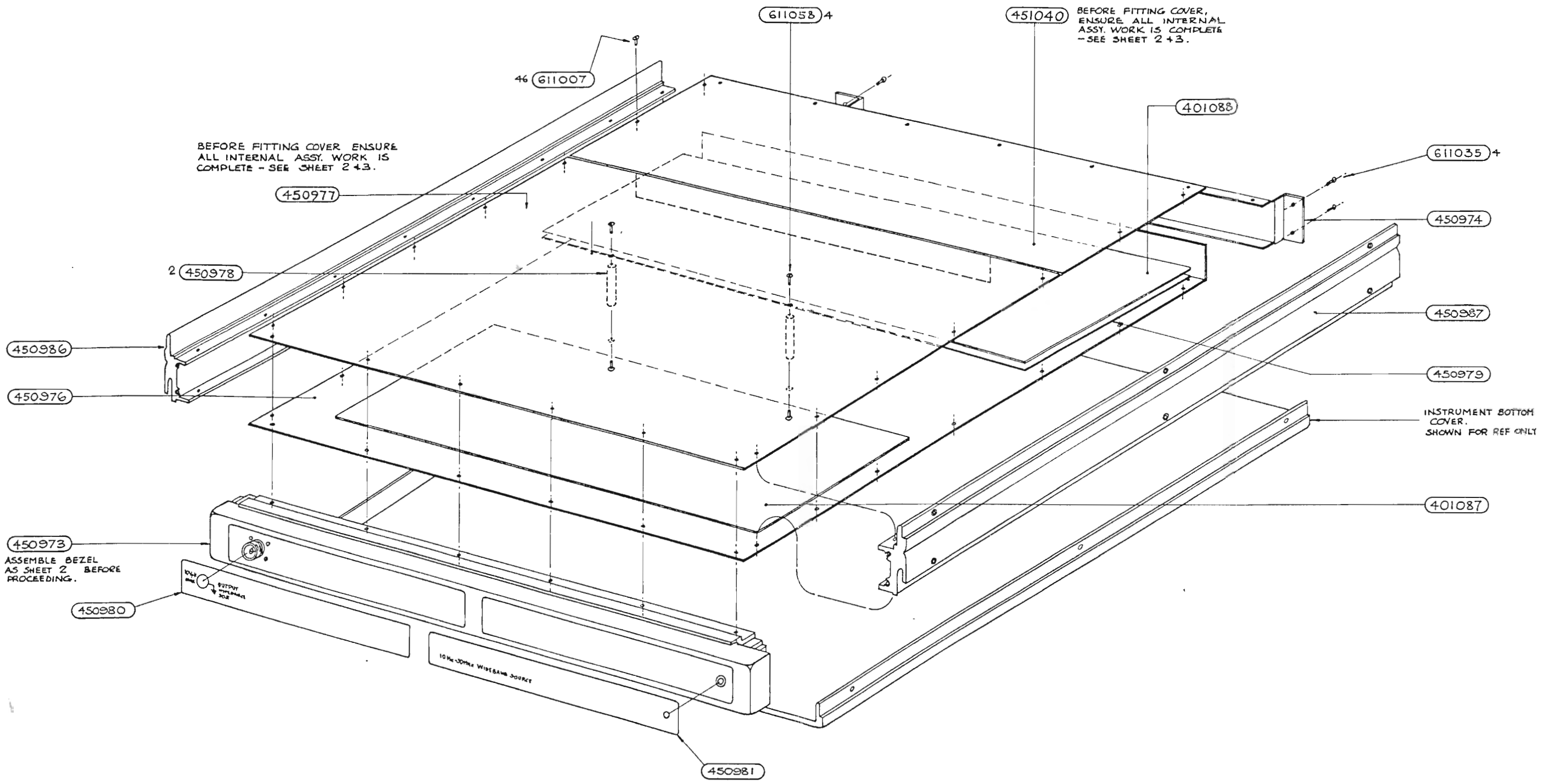


DRAWING No  
DA 401086

SS CHANGES  
1.0 ECO. 4311  
RELEASED  
21 MAR 93  
1.1 ECO. 4329  
TOP COVER &  
ONE PIECE - M  
450977.  
1JL 3 SEP 93

08 SEP 1993

A  
B  
C  
D  
E



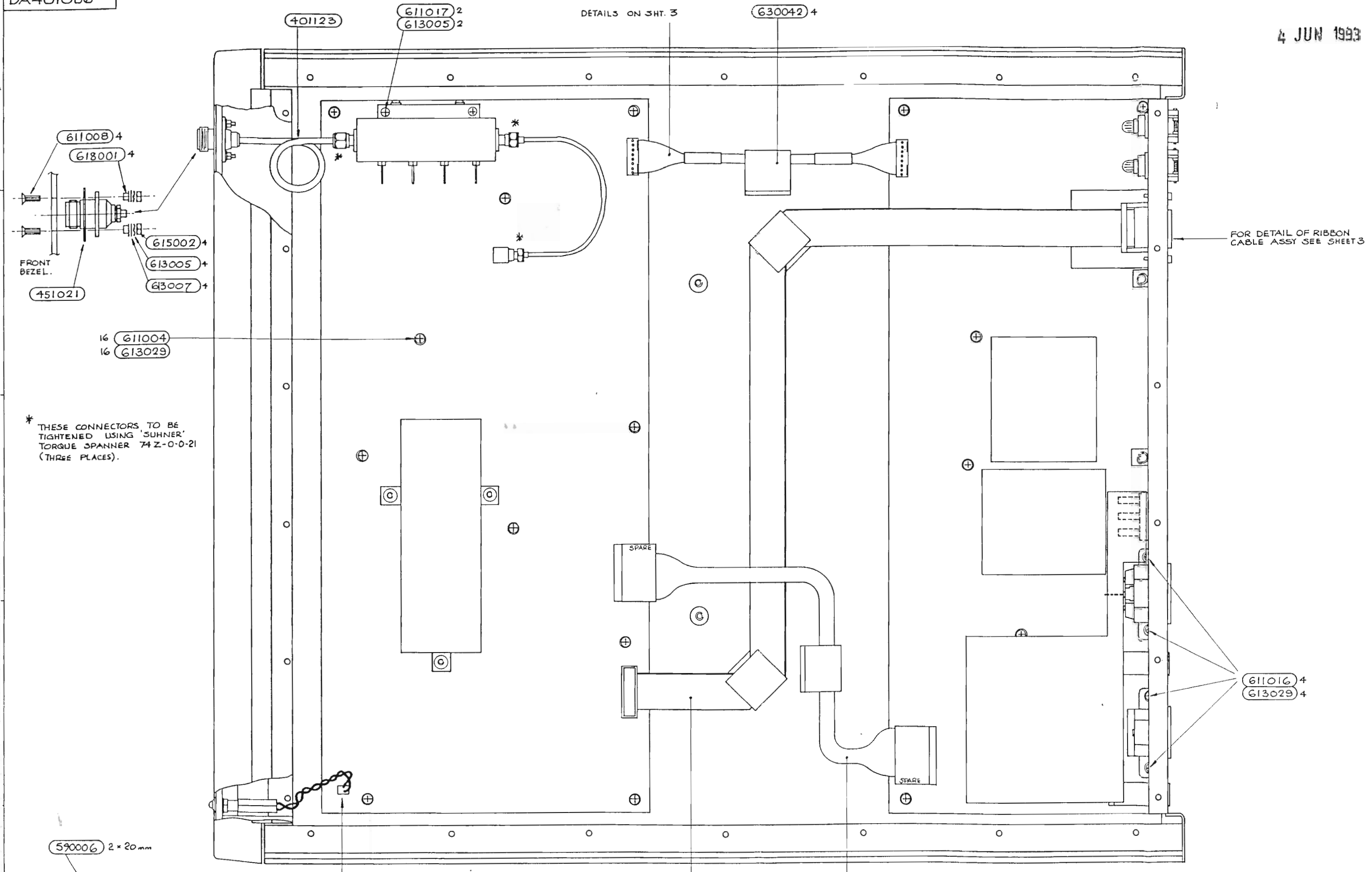
<p>THIRD ANGLE PROJECTION</p>	<p>DRAWN 1JL</p>	<p>DATE 26 JAN 93</p>	<p>DIMENSIONS IN MILLIMETRES</p>	<p>TOLERANCES</p>	<p>MATERIAL</p>	<p>TITLE</p> <p>4800 WB MAIN ASSY.</p>
	<p>CHECKED NW</p>	<p>DATE 27 JAN 93</p>	<p>SCALE</p>	<p>DECIMAL TO 2 PLACES ± 0.1mm DECIMAL TO 1 PLACE ± 0.2mm WHOLE DIMENSIONS ± 0.4mm ANGULAR ± 0.5° UNLESS OTHERWISE STATED</p>	<p>FINISH</p>	
<p>ALL BURRS TO BE REMOVED</p>	<p>APPR PTN</p>	<p>DATE 26 93</p>	<p>NOT TO BE SCALED</p>			<p>DRAWING No.</p> <p>DA 401086</p>

**datron**  
INSTRUMENTS  
NORWICH  
ENGLAND

DRAWING No.  
DA 401086

SHEET 1 OF 4

4 JUN 1993

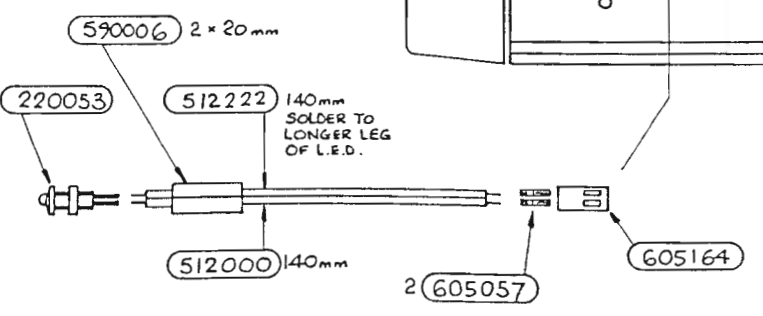


\* THESE CONNECTORS TO BE TIGHTENED USING 'SUHNER' TORQUE SPANNER 74 Z-0-0-21 (THREE PLACES).

FOR DETAIL OF RIBBON CABLE ASSY SEE SHEET 3

DETAILS ON SHT. 3

DETAILS ON SHT. 3

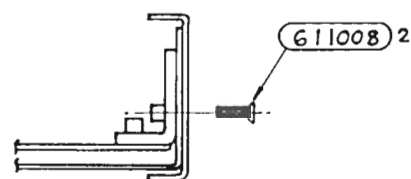
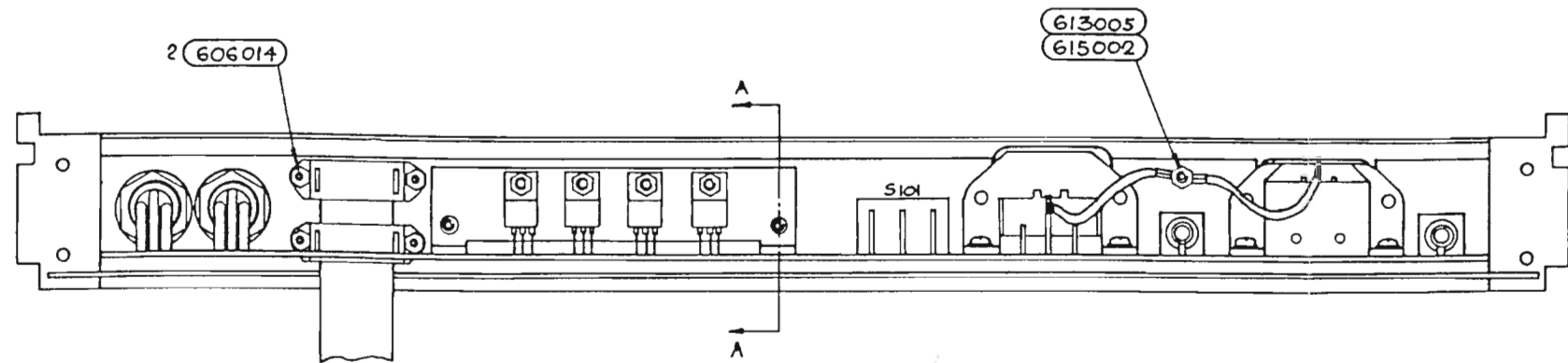


<p>THIRD ANGLE PROJECTION</p> <p>ALL BURRS TO BE REMOVED</p>	<p>DRAWN UJL</p>	<p>DATE 26 JAN 93</p>	<p>DIMENSIONS IN MILLIMETRES</p>	<p>TOLERANCES</p> <p>DECIMAL TO 2 PLACES ±.1mm DECIMAL TO 1 PLACE ±.2mm WHOLE DIMENSIONS ±.4mm ANGULAR ±.5° UNLESS OTHERWISE STATED</p>	<p>MATERIAL</p> <p>FINISH</p>	<p>TITLE</p> <p>4800 WB MAIN ASSY.</p>
	<p>CHECKED NW</p>	<p>DATE 27 JAN 93</p>	<p>SCALE</p> <p>NOT TO BE SCALED</p>	<p>DRAWING No DA401086</p>		
	<p>APPR PTN</p>	<p>DATE 26 93</p>				<p>SHEET 2 OF 4</p>

**datron**  
INSTRUMENTS  
NORWICH  
ENGLAND

SS	CHANGES
1.0	ECO. 4311 RELEASED 21 MAY 93
1.1	ECO. 4372 MOD LEVEL LABEL ADDED 1JL 16 NOV 93
1.2	ECO. 4692 LABEL 420146 WAS 420095 1JL 16 JAN 95

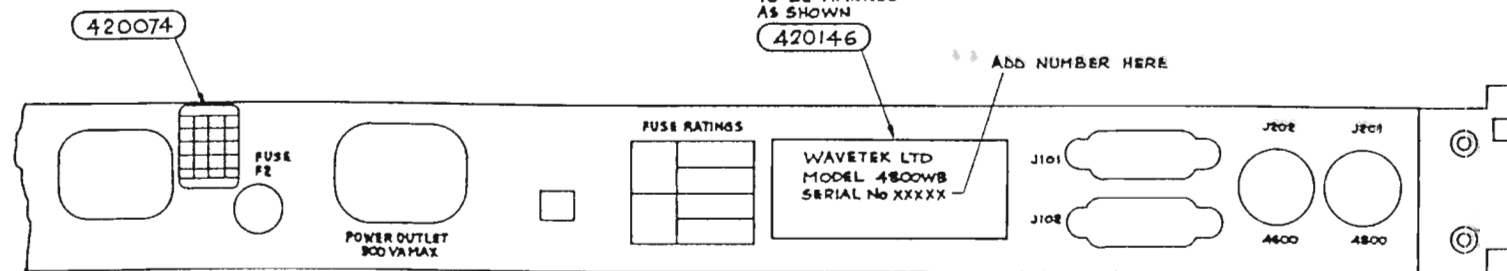
1 FEB 1995



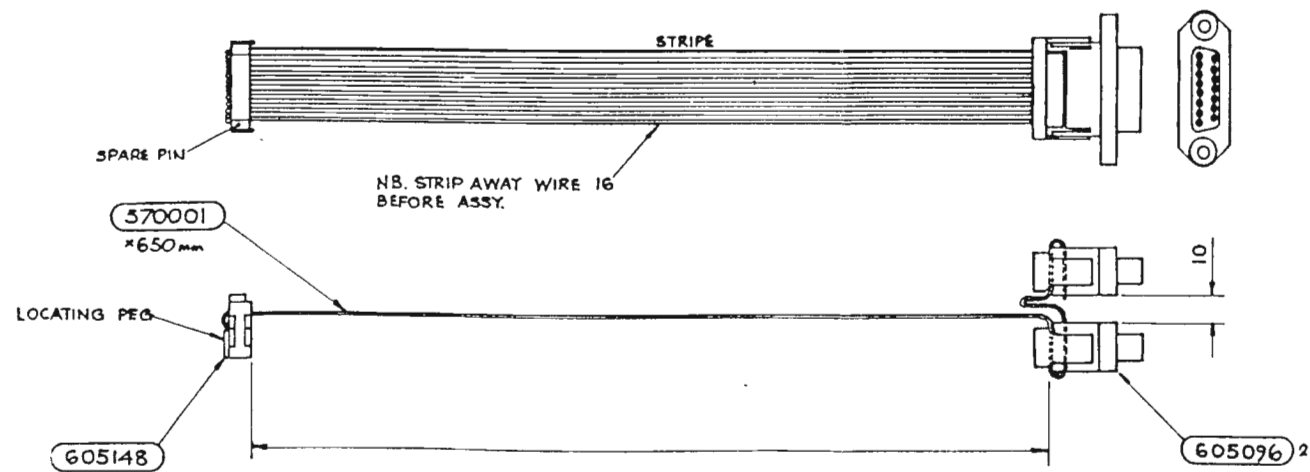
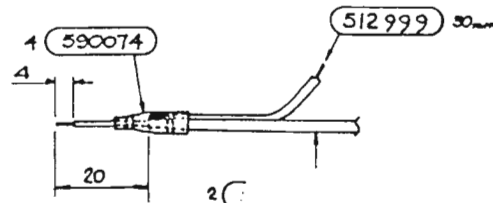
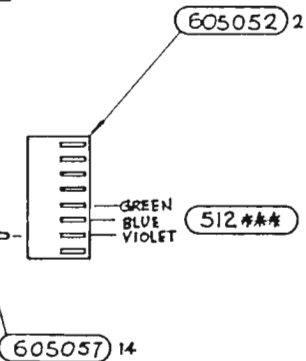
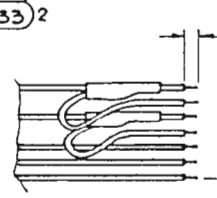
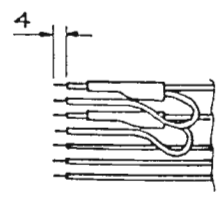
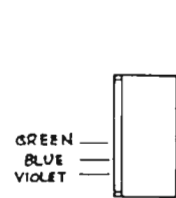
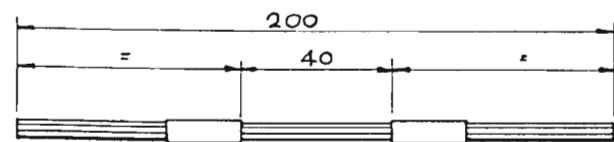
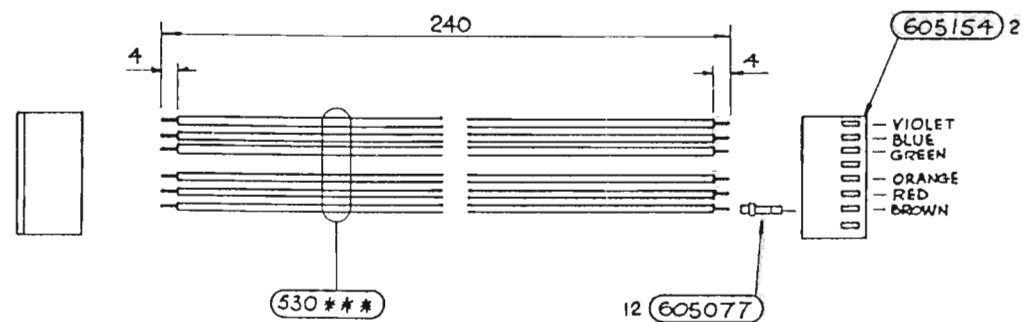
SECTION A-A

NOTE: STRIKE OFF ONLY  
INCLUDED MOD LEVELS

LABEL INFORMATION  
TO BE MARKED  
AS SHOWN

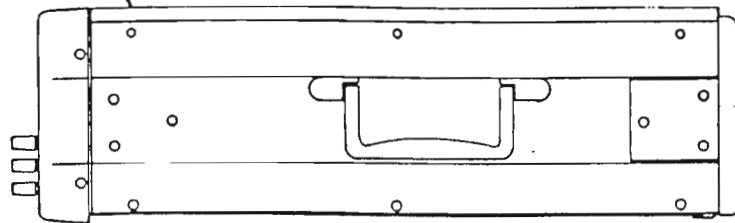


VIEW ON REAR PANEL



THIRD ANGLE PROJECTION 	DRAWN 1JL	DATE 26 JAN 93	DIMENSIONS IN MILLIMETRES	TOLERANCES DECIMAL TO 2 PLACES ±.1mm DECIMAL TO 1 PLACE ±.2mm WHOLE DIMENSIONS ±.4mm ANGULAR ±.5°	MATERIAL	TITLE
	CHECKED NW	DATE 22 Jan 93	SCALE	UNLESS OTHERWISE STATED	FINISH	4800WB MAIN ASSEMBLY
ALL BURRS TO BE REMOVED	APPR PTN	DATE 2-6-95	NOT TO BE SCALED			DRAWING No DA401086

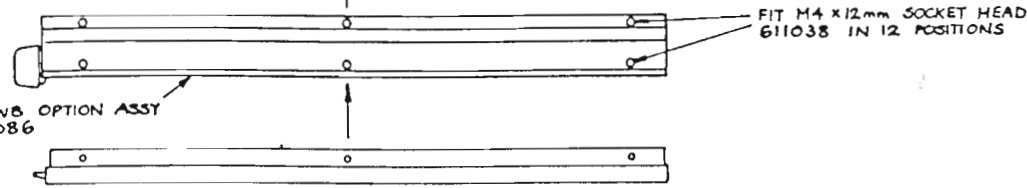
480X ASSY.



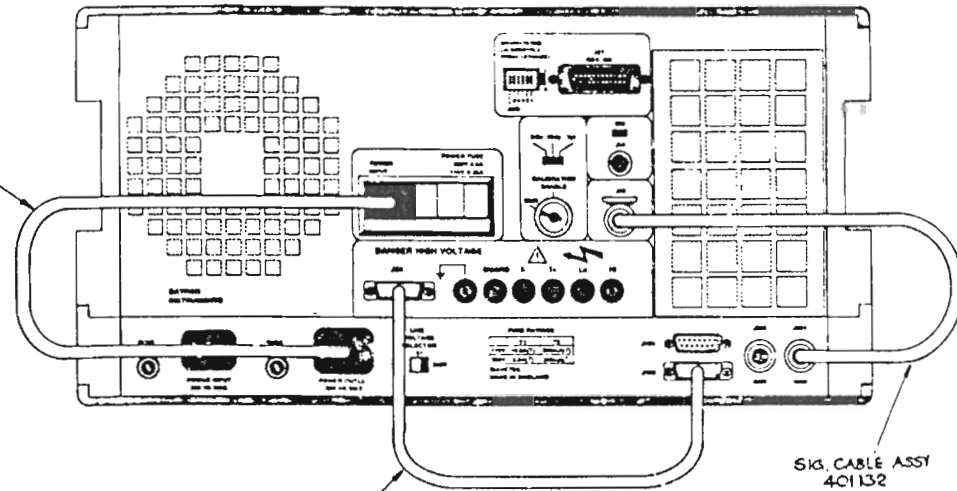
CHANGE EPROM ASSY TO:-

INSTRUMENT	EPROM ASSY.
4800A	401274
4805	401275
4808	401276

4800WB OPTION ASSY  
401086



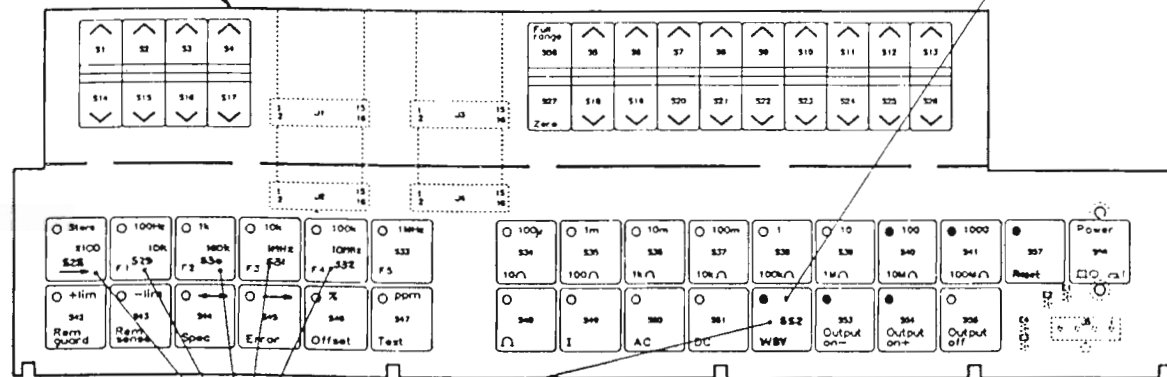
MAINS LEAD  
920178



CONTROL CABLE ASSY.  
401131

SIG. CABLE ASSY  
401132

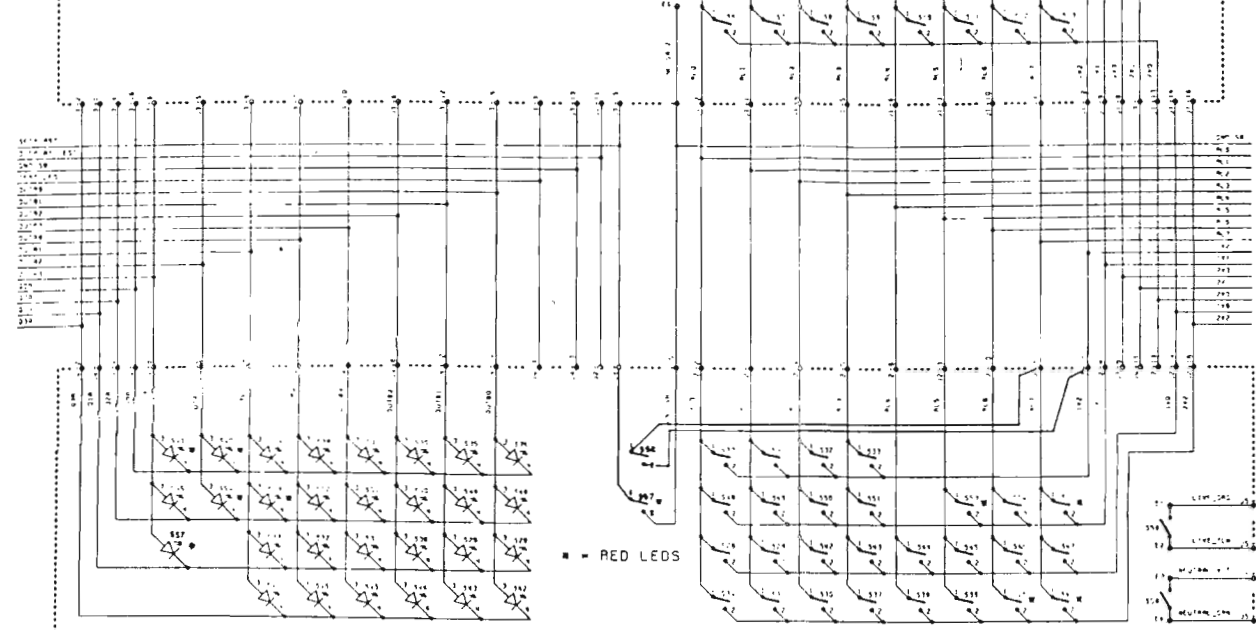
SWITCH PCB ASSY



THESE KEYCAPS ARE TO REPLACE  
STANDARD KEYCAPS NORMALLY FITTED.  
NEW KEYCAP SET IS PART No 080020.

SWITCH S52 NEEDS TO BE  
CHANGED TO TYPE WITH A  
GREEN LED 700135.

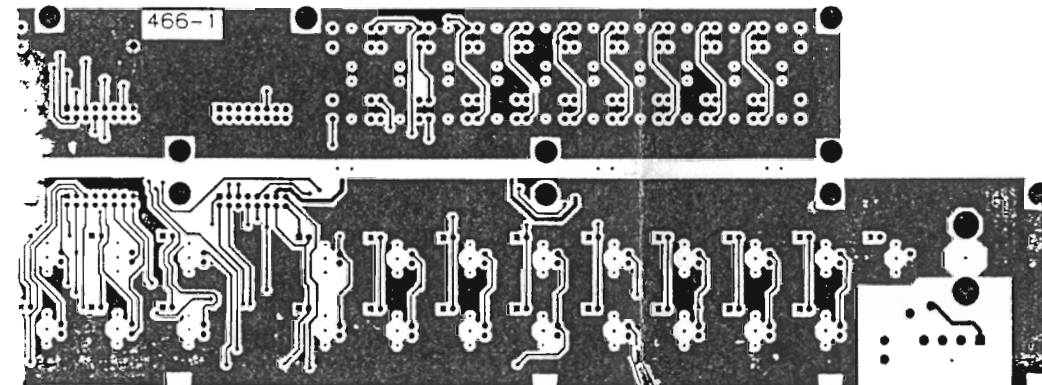
UPPER HALF OF SWITCH PCB



LOWER HALF OF SWITCH PCB

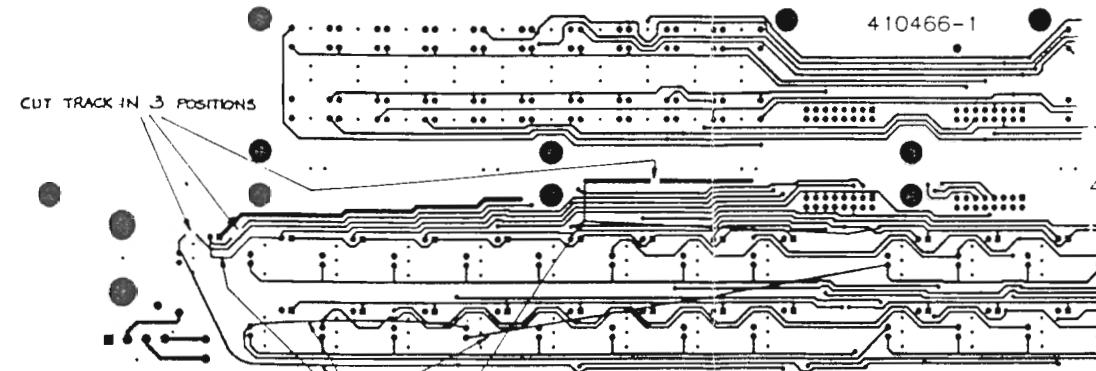
RED LEADS

COMP. SIDE OF PCB.



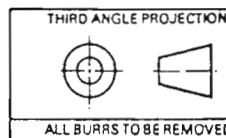
CUT TRACK IN 2 POSITIONS.

SOLDER SIDE OF  
PCB.



CUT TRACK IN 3 POSITIONS

ADD 5 LINKS IN POSITIONS  
SHOWN 540006



DRAWN  
I/JL  
CHECKED  
MJD  
APPR.  
PTN

DATE  
23 FEB 93  
DATE  
28/1/93  
DATE  
2-6-93

DIMENSIONS IN  
MILLIMETRES  
SCALE  
NOT TO BE SCALED

TOLERANCES  
DECIMAL TO 2 PLACES ± 0.1mm  
DECIMAL TO 1 PLACE ± 0.2mm  
WHOLE DIMENSIONS ± 0.4mm  
ANGULAR ± 1/2°  
UNLESS OTHERWISE STATED

MATERIAL  
FINISH  
TITLE  
4800A, 4805 & 4808  
INSTRUMENT ASSEMBLY  
WB OPTION FITTING.

DRAWING No.  
DA401086  
SHEET 4 OF 4

CHANGES

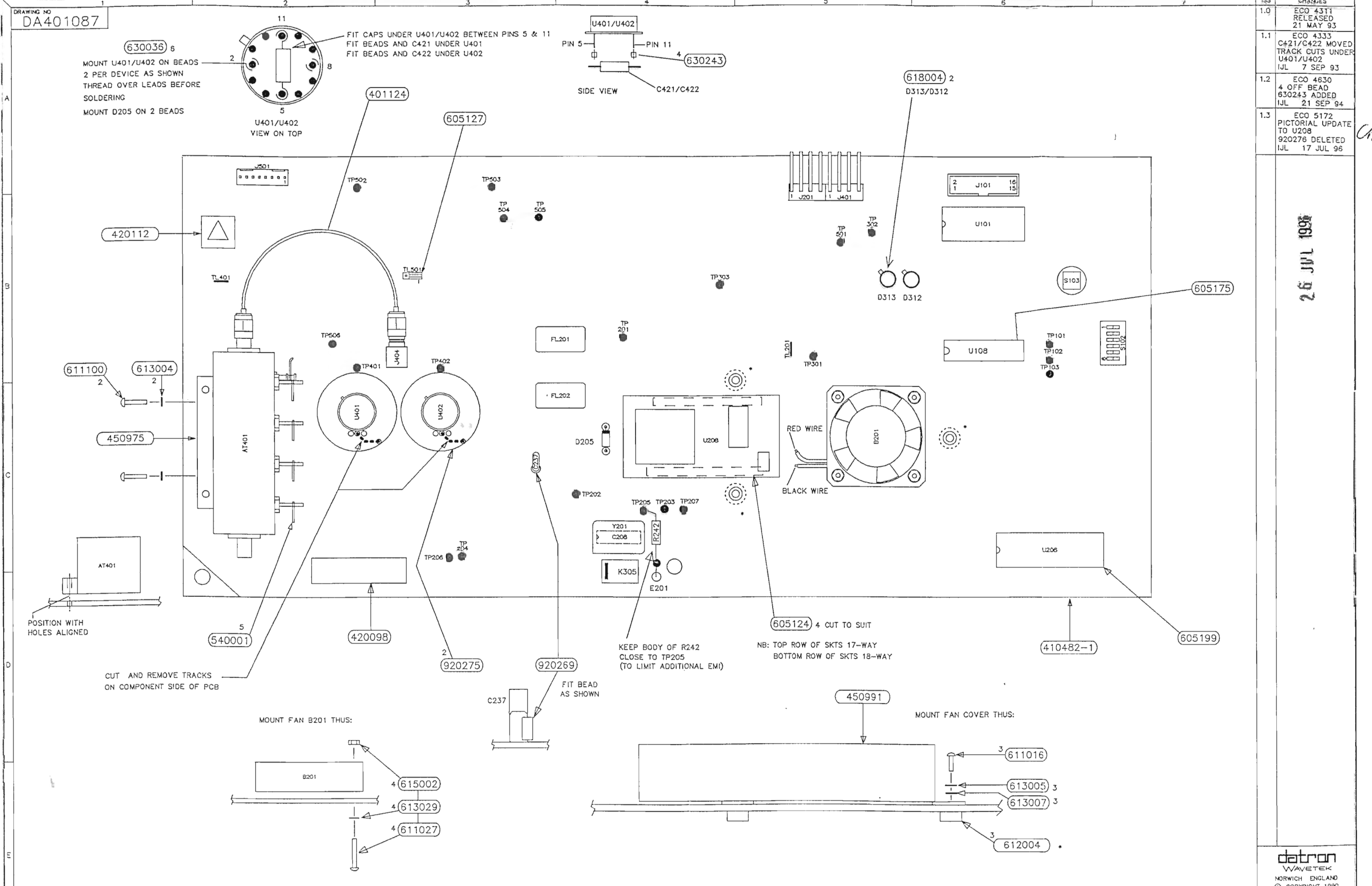
1.0	ECO 4311 RELEASED 28 MAY 93
1.1	ECO 4334 SOFTWARE UPDATE TO ISSUE 2.6 1/JL 05 SEP 93
1.2	ECO 4345 SOFTWARE UPDATE TO ISSUE 2.7 1/JL 06 OCT 93
1.3	ECO 4398 SOFTWARE UPDATE TO ISSUE 2.8 1/JL 15 DEC 93
1.4	ECO 4500 SOFTWARE UPDATE TO ISSUE 2.10 1/JL 03 JUN 94
1.5	ECO 4604 SOFTWARE UPDATE TO ISSUE 2.11 1/JL 12 AUG 94
1.6	ECO 4655 SOFTWARE UPDATE FOR 4808 TO 401007-12 1/JL 17 JAN 95
1.7	ECO 4965 SOFTWARE UPDATE TO ISSUE 2.13 1/JL 27 SEP 95
1.8	ECO 4992 EPROM ASSYS WERE 400992, 401003 & 401007 1/JL 15 JAN 96

18 JAN 1996

datron  
INSTRUMENTS  
NORWICH  
ENGLAND

ISS	CHANGES
1.0	ECO 4311 RELEASED 21 MAY 93
1.1	ECO 4333 C421/C422 MOVED TRACK CUTS UNDER U401/U402 IJL 7 SEP 93
1.2	ECO 4630 4 OFF BEAD 630243 ADDED IJL 21 SEP 94
1.3	ECO 5172 PICTORIAL UPDATE TO U208 920276 DELETED IJL 17 JUL 96

26 JUL 1996

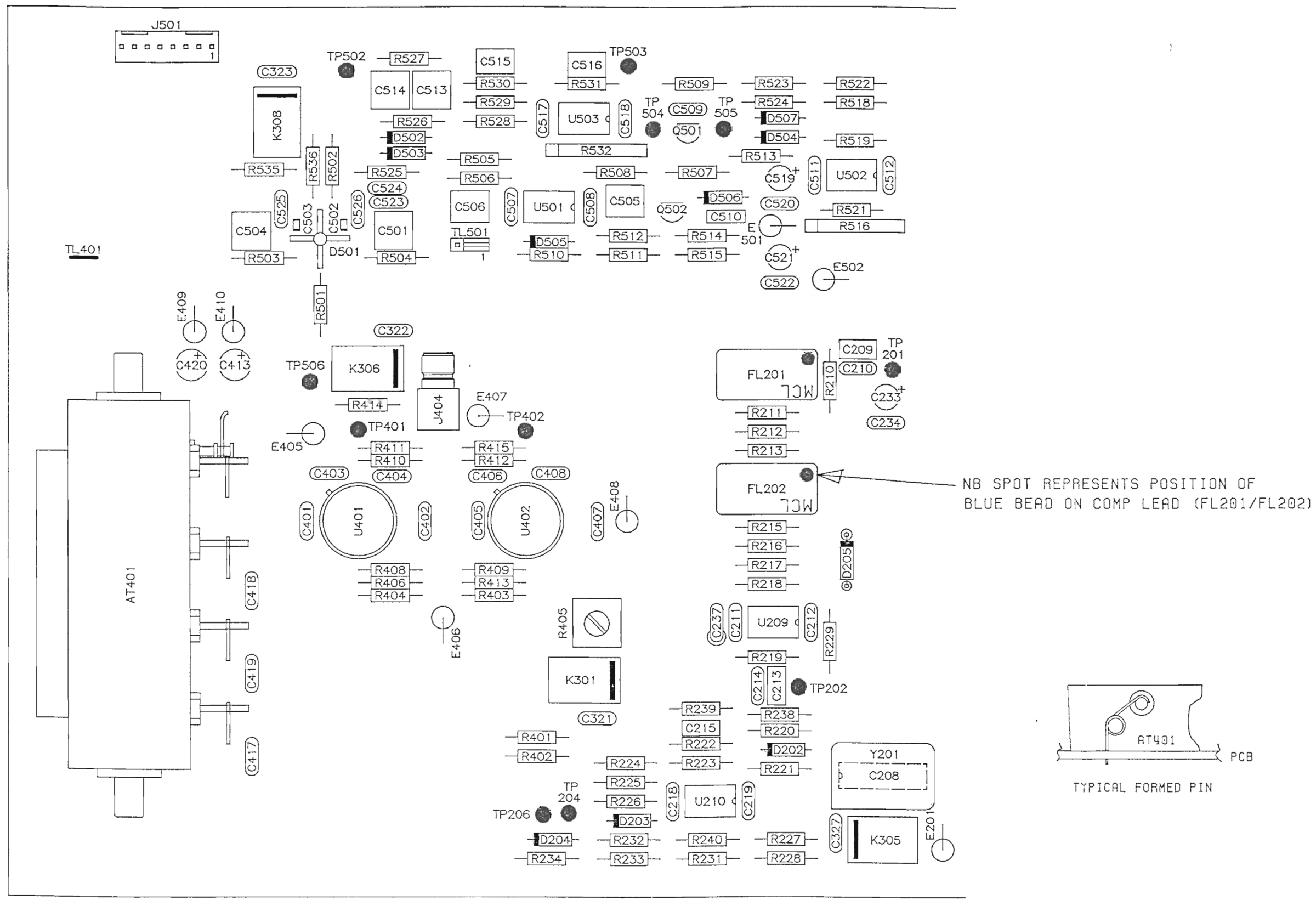


THIRD ANGLE PROJECTION		DRAWN	DATE	DIMENSIONS IN	TOLERANCES	MATERIAL	TITLE	DRAWING NO.
		JD	10 DEC 92	MILLIMETRES	DECIMAL TO 2 PLACES ± 0.1mm	---	4800 WIDEBAND PCB ASSEMBLY	DA401087
		CHECKED	DATE	SCALE	DECIMAL TO 1 PLACE ± 0.2mm	---		
		APPROVED	DATE	N.T.S.	WHOLE DIMENSIONS ± 0.4mm	---		
		PTN	02 JUN 93	NOT TO BE SCALED	ANGULAR ± 0.5°	---		
ALL BURRS TO BE REMOVED					UNLESS OTHERWISE STATED			SHEET 1 OF 3

datron  
WAVETEK  
NORWICH ENGLAND  
© COPYRIGHT 1990

ISS	CHANGES
1.0	ECO4311 RELEASED 21 MAY 93
1.1	ECO 4333 C421/C422 MOVED (SEE SHEET 1) I/L 7 SEP 93

D 8 SEP 1993



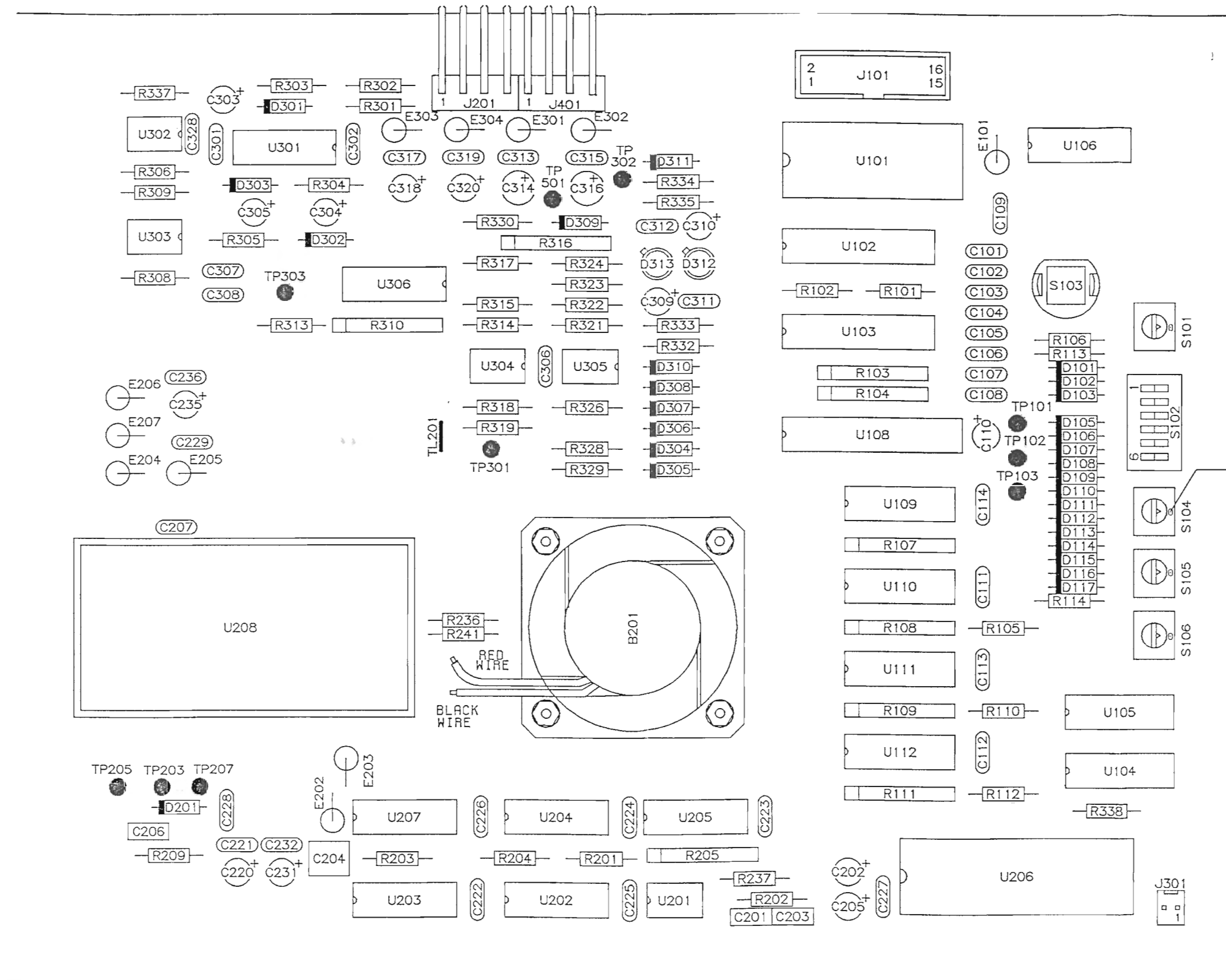
THIRD ANGLE PROJECTION 	DRAWN JD	DATE 10 DEC 92	DIMENSIONS IN MILLIMETRES	TOLERANCES DECIMAL TO 2 PLACES ± 0.1mm DECIMAL TO 1 PLACE ± 0.2mm WHOLE DIMENSIONS ± 0.4mm ANGULAR ± 0.5° UNLESS OTHERWISE STATED	MATERIAL ---
ALL BURRS TO BE REMOVED	CHECKED JRP	DATE 01 JUN 93	SCALE N.T.S.		FINISH ---
	APPROVED PTN	DATE 02 JUN 93	NOT TO BE SCALED		

4800 WIDEBAND PCB  
ASSEMBLY

**datron**  
WAVETEK  
NORWICH ENGLAND  
© COPYRIGHT 1990

DRAWING NO.  
DA401087

SHEET 2 OF 3



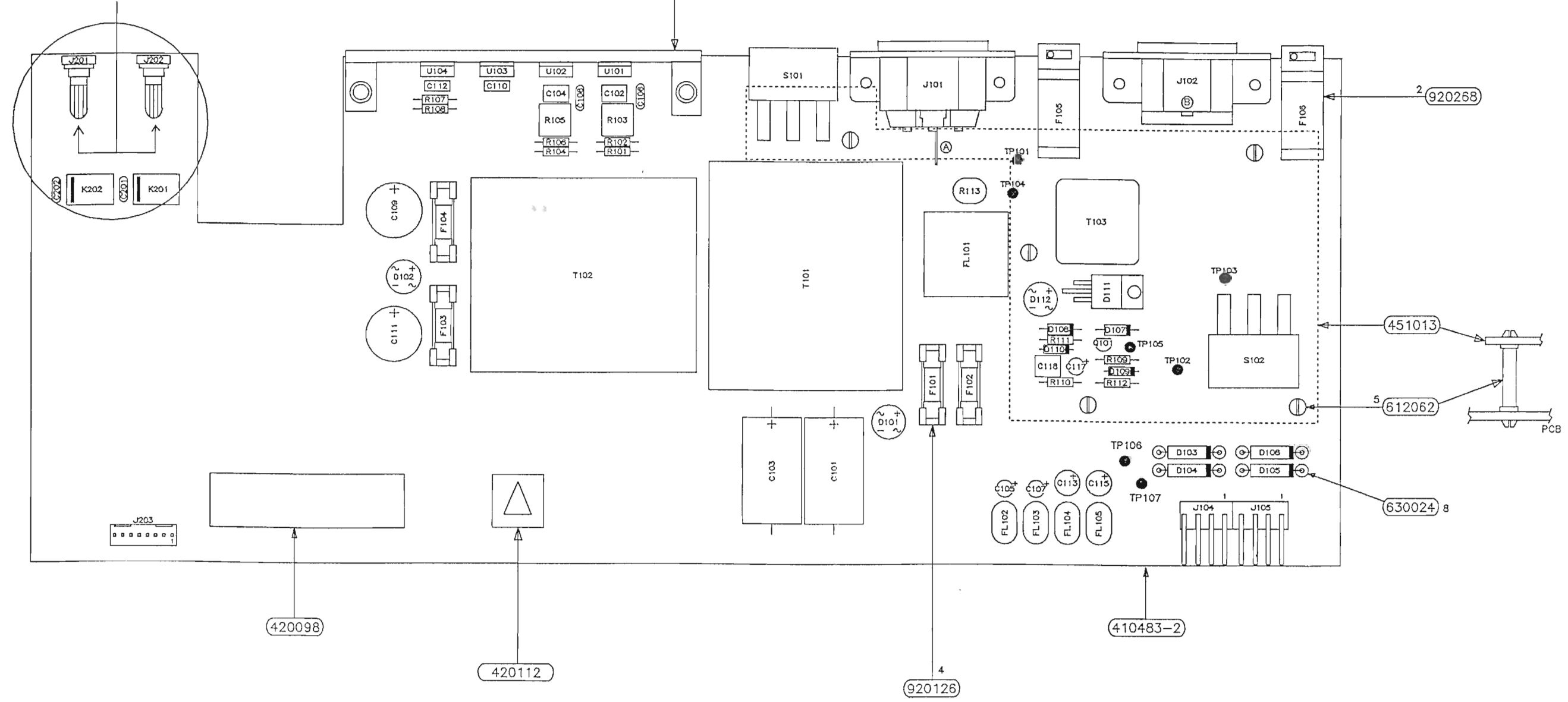
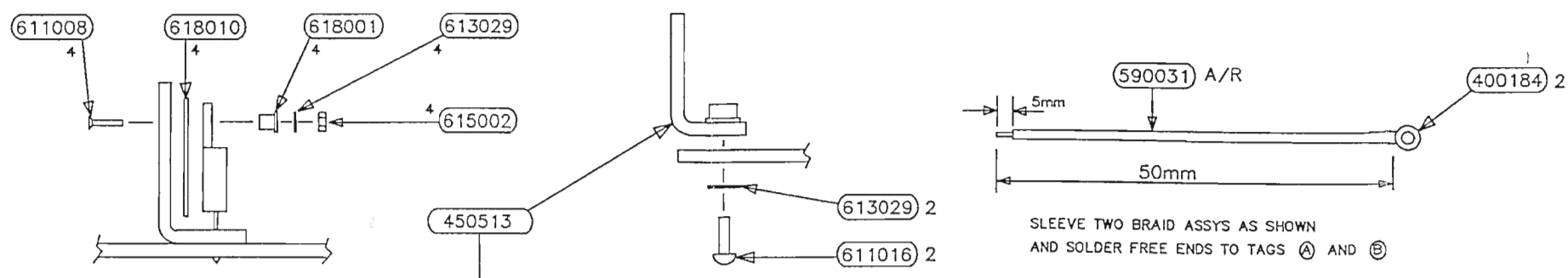
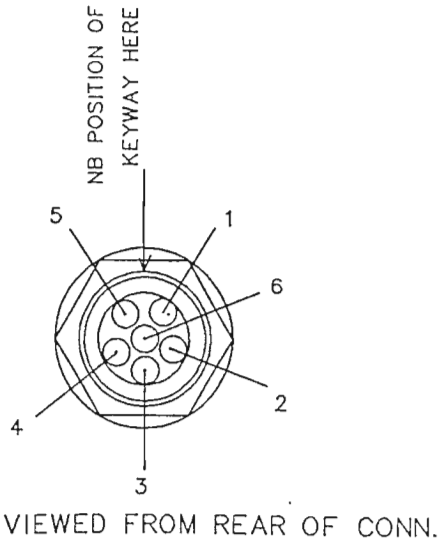
THIRD ANGLE PROJECTION 	DRAWN ND	DATE 10 DEC 92	DIMENSIONS IN MILLIMETRES	TOLERANCES DECIMAL TO 2 PLACES ± 0.1mm DECIMAL TO 1 PLACE ± 0.2mm WHOLE DIMENSIONS ± 0.4mm ANGULAR ± 0.5°	MATERIAL ---
ALL BURRS TO BE REMOVED	CHECKED H	DATE 1-6-93	SCALE N.T.S.	FINISH ---	
	APPROVED PIN	DATE 2-6-93	NOT TO BE SCALED	UNLESS OTHERWISE STATED	

TITLE  
4800 WIDEBAND PCB  
ASSEMBLY

DRAWING NO  
DA401088

ISS	CHANGES
1.0	ECO 4311 RELEASED 21 MAY 93
1.1	ECO 4313 TP106/TP107 ADDED. J201/J202 WIRING REMOVED IJL 4 JUN 93
1.2	ECO 4838 SCREW 611008 WAS 611015. IJL 1 JUN 95
1.3	ECO 4846 PCB WAS ISSUE 1 IJL 7 JUN 95

- 8 JUN 1995



THIRD ANGLE PROJECTION 	DRAWN	DATE	DIMENSIONS IN	TOLERANCES	MATERIAL	TITLE
	JD	11 DEC 92	MILLIMETRES	DECIMAL TO 2 PLACES ± 0.1mm		
	CHECKED	DATE	SCALE	DECIMAL TO 1 PLACE ± 0.2mm		
	RJC	4 JUN 93	N.T.S.	WHOLE DIMENSIONS ± 0.4mm		
APPROVED		DATE	ANGULAR	± 0.5°	FINISH	4800 W/BAND PSU PCB ASSEMBLY
PTN		4 JUN 93	UNLESS OTHERWISE STATED			
ALL BURRS TO BE REMOVED						

datron  
WAVETEK  
NORWICH ENGLAND  
© COPYRIGHT 1990

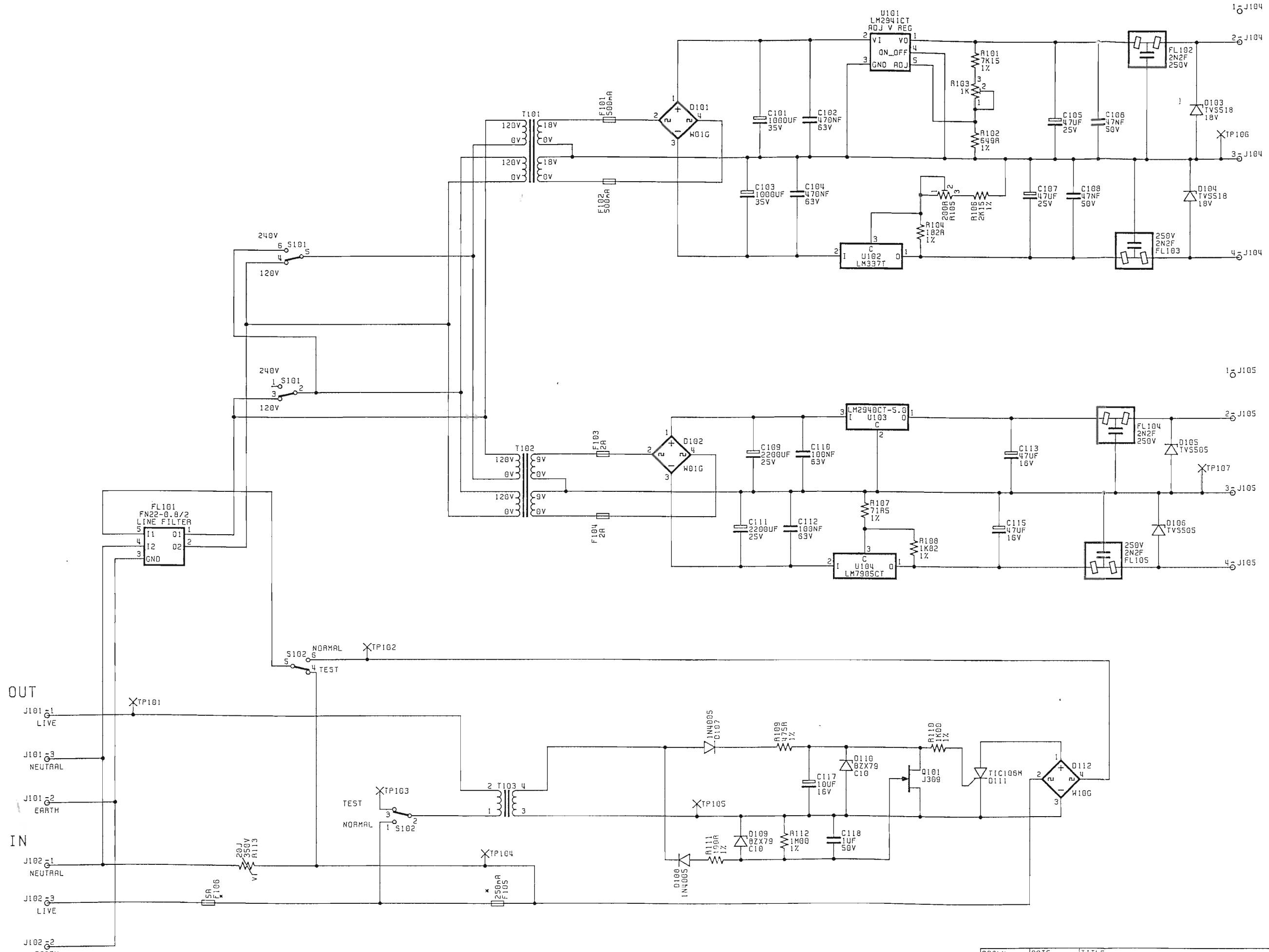
DRAWING NO.  
DA401088

SHEET 1 OF 1



ISS	CHANGES
1.0	ECO 4311 RELEASED I/JL 20 MAY 93
1.1	ECO4313 TP106/TP107 ADDED I/JL 4 JUN 93

7 JUL 1993



\* FOR 90-120V OPERATION  
USE 10A AND 500mA

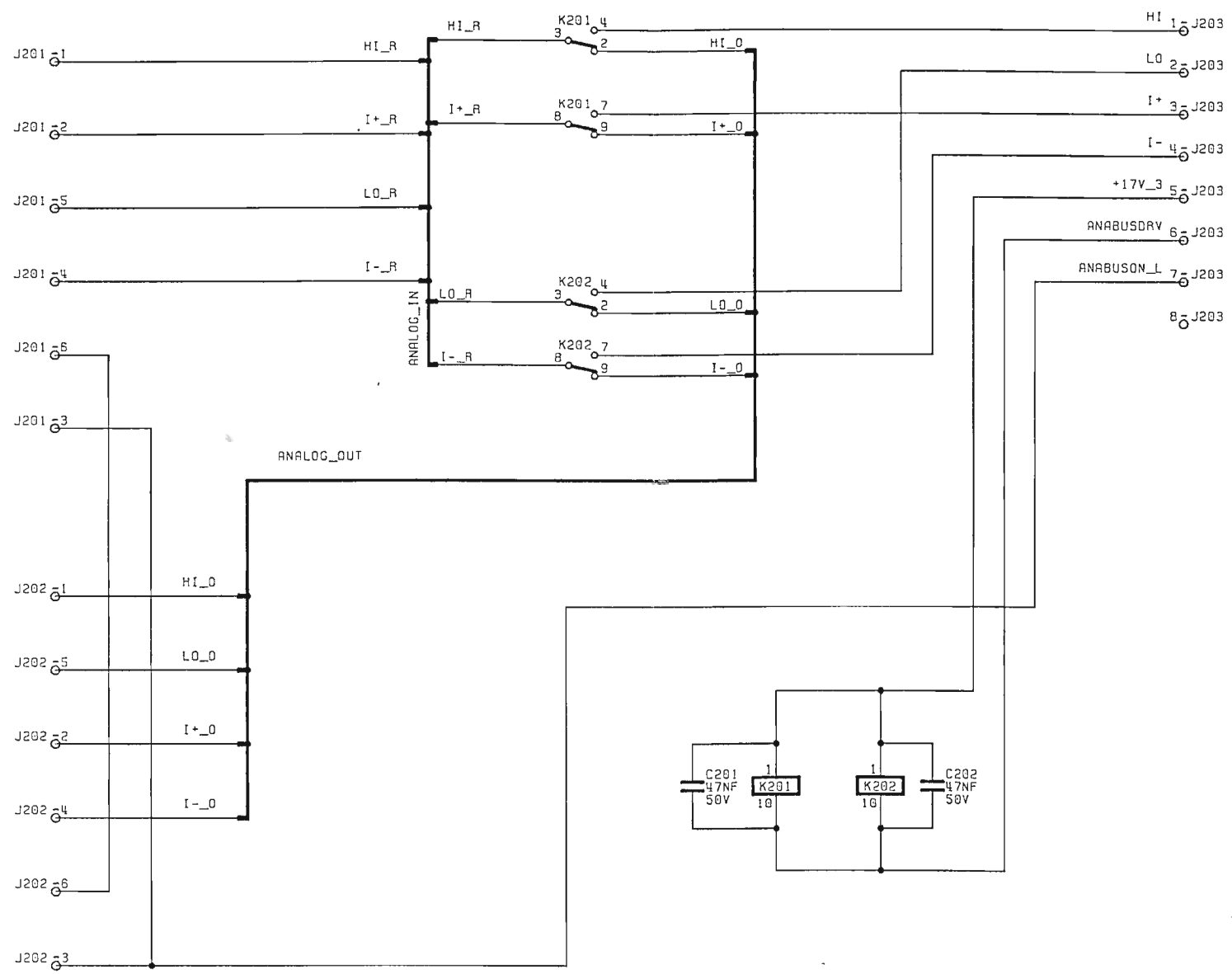
OUT  
J101-1 LIVE  
J101-3 NEUTRAL  
J101-2 EARTH  
IN  
J102-1 NEUTRAL  
J102-3 LIVE  
J102-2 EARTH

DRAWN	DATE	TITLE
JD	03 JUL 92	4800 WIDEBAND POWER SUPPLIES
CHKD	DATE	
RJC	4 JUN 93	
APPD	DATE	
PTN	4 JUN 93	

4800 WIDEBAND  
POWER  
SUPPLIES

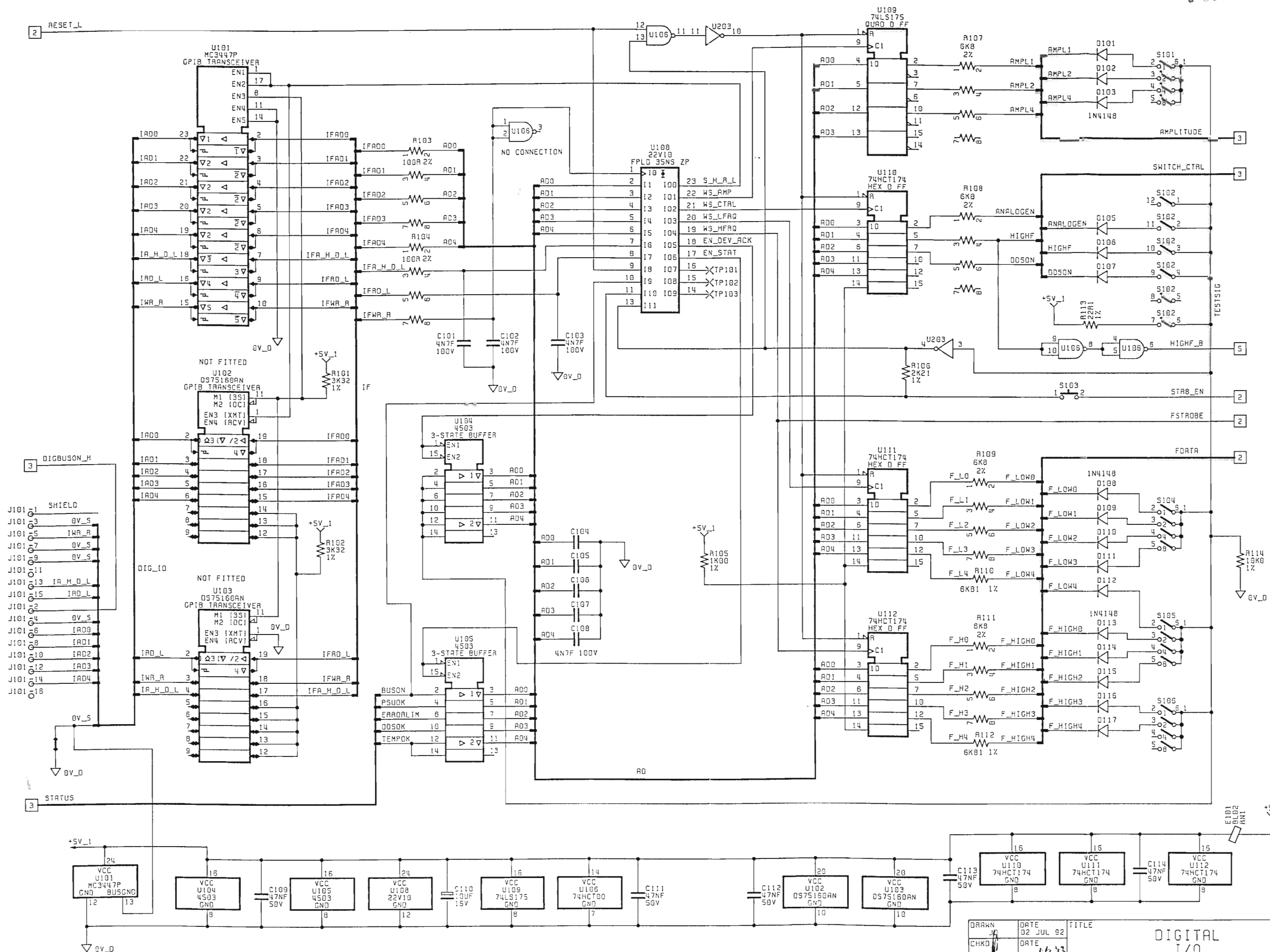
7 JUL 1993

ISS	CHANGES
1.0	ECO 4311 RELEASED IJL 4 JUN 93
1.1	ECO 4313 J201, J202 PINNING RE-ASSIGNED IJL 30 JUN 93



DRAWN IJL	DATE 03 JUL 92	TITLE
CHKD RJC	DATE 4 JUN 93	
APPD RJC	DATE 4 JUN 93	

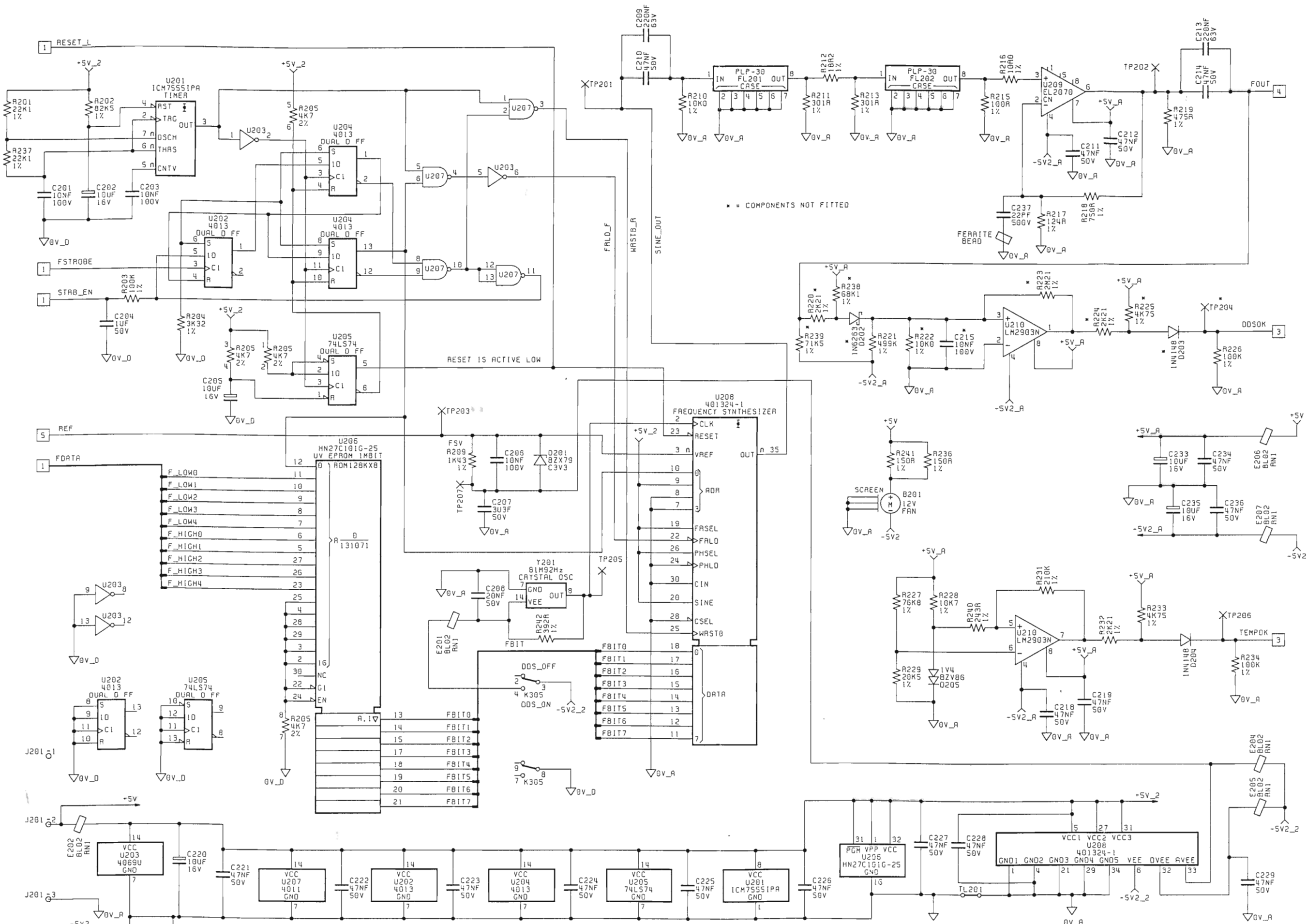
4800 WIDEBAND  
POWER  
SUPPLIES



DRAWN	DATE	TITLE
CHKD	DATE	
APPR	DATE	

DIGITAL  
I/O  
4800 WIDEBAND

ISS	CHANGES
1.0	ECO 4311 RELEASED 19 MAY 93
1.1	ECO 5172 R209 WAS 1K00 Q201 WAS 2V4 U208 WAS 1375A- 80Mz-EXT-REF 1 JUL 16 JUL 96
1.2	ECO 5626 R209 WAS 1K21 JHN 1 OCT 97



\* = COMPONENTS NOT FITTED

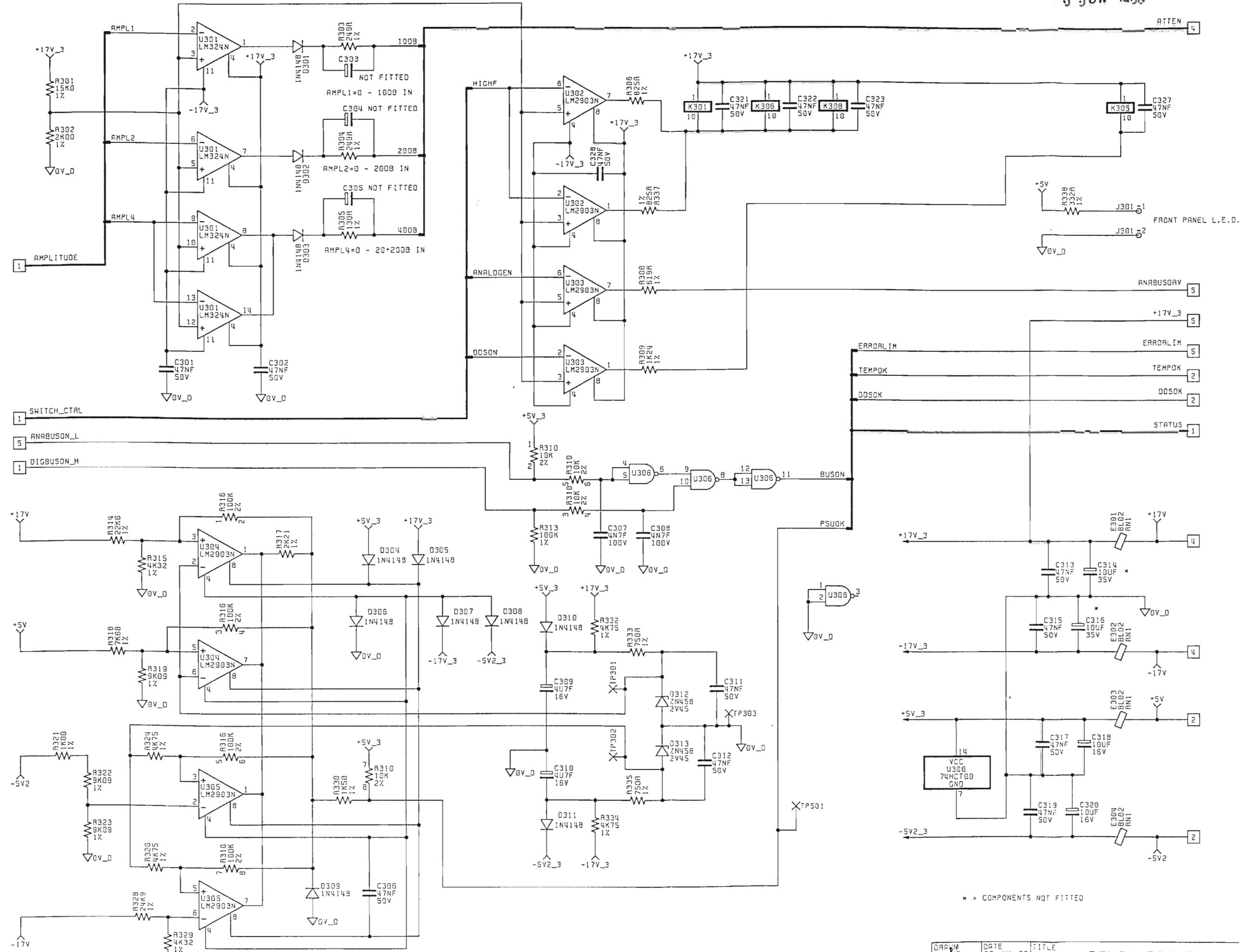
RESET IS ACTIVE LOW

DRAWN	DATE	TITLE
JAP	02 JUN 92	DDS SUBSYSTEM & GAIN AND FILTERING 4800 WIDEBAND
CHKD	DATE	
JAP	01 JUN 93	
APPD	DATE	
PTN	02 JUN 93	

DDS SUBSYSTEM &  
GAIN AND FILTERING  
4800 WIDEBAND

3 JUN 1993

ISS	CHANGES
1.0	ECO 4311
	RELEASED
	I.J.L. 20 MAY 93



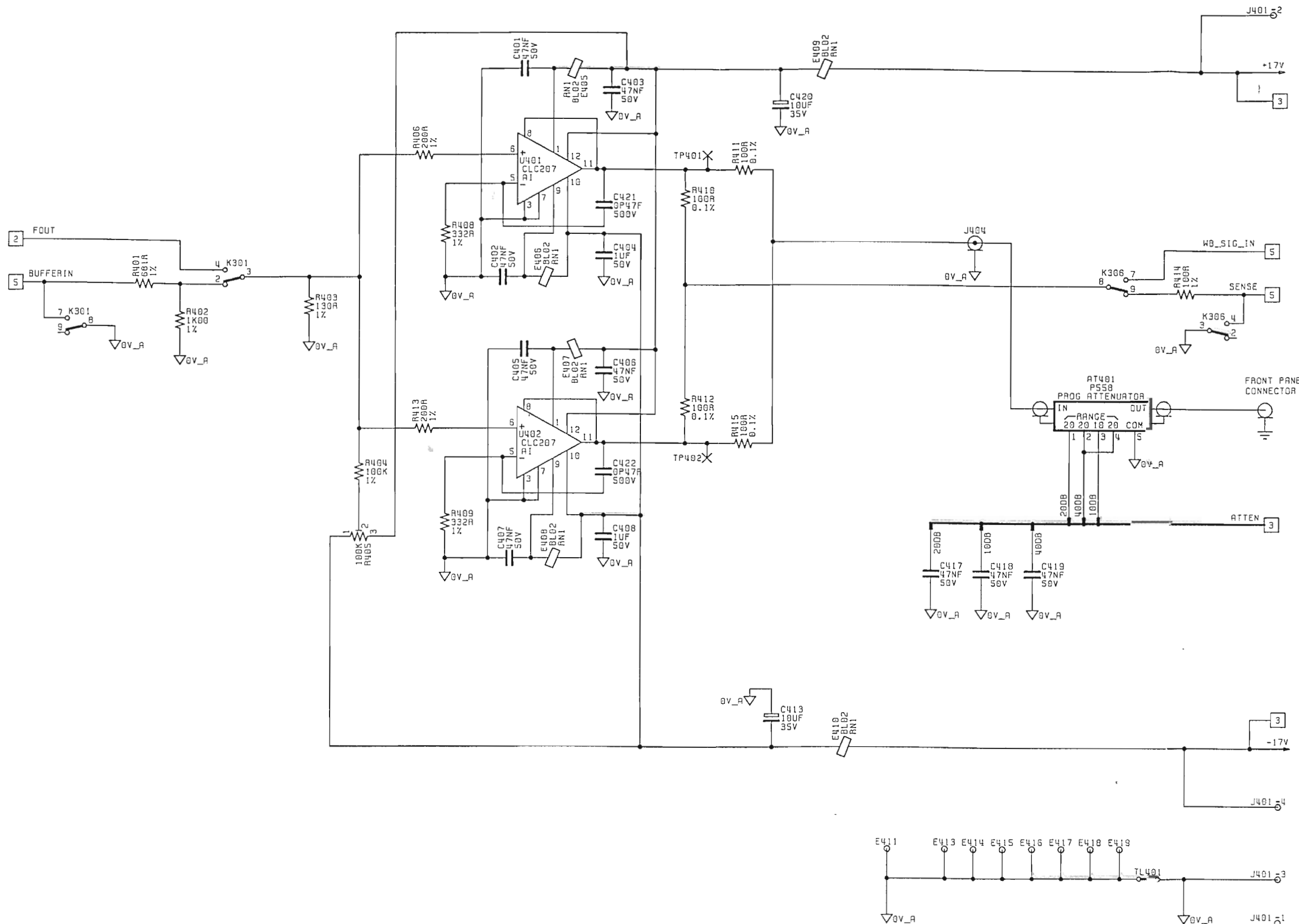
\* = COMPONENTS NOT FITTED

DRAWN	DATE	TITLE
CHKD	DATE	RELAY DRIVE & STATUS CCTS
APPD	DATE	4800 WIDEBAND

1-6-93  
2-6-93

ISS	CHANGES
1.0	ECO 4311 RELEASED 20 MAR 93
1.1	ECO 4333 R401 WAS 1K00 R403 WAS 200R R406 WAS 22R1 R413 WAS 22R1 C404 WAS 47NF C408 WAS 47NF P/S LINE WAS SET TO 16VS IJL 7 SEP 93

08 SEP 1993



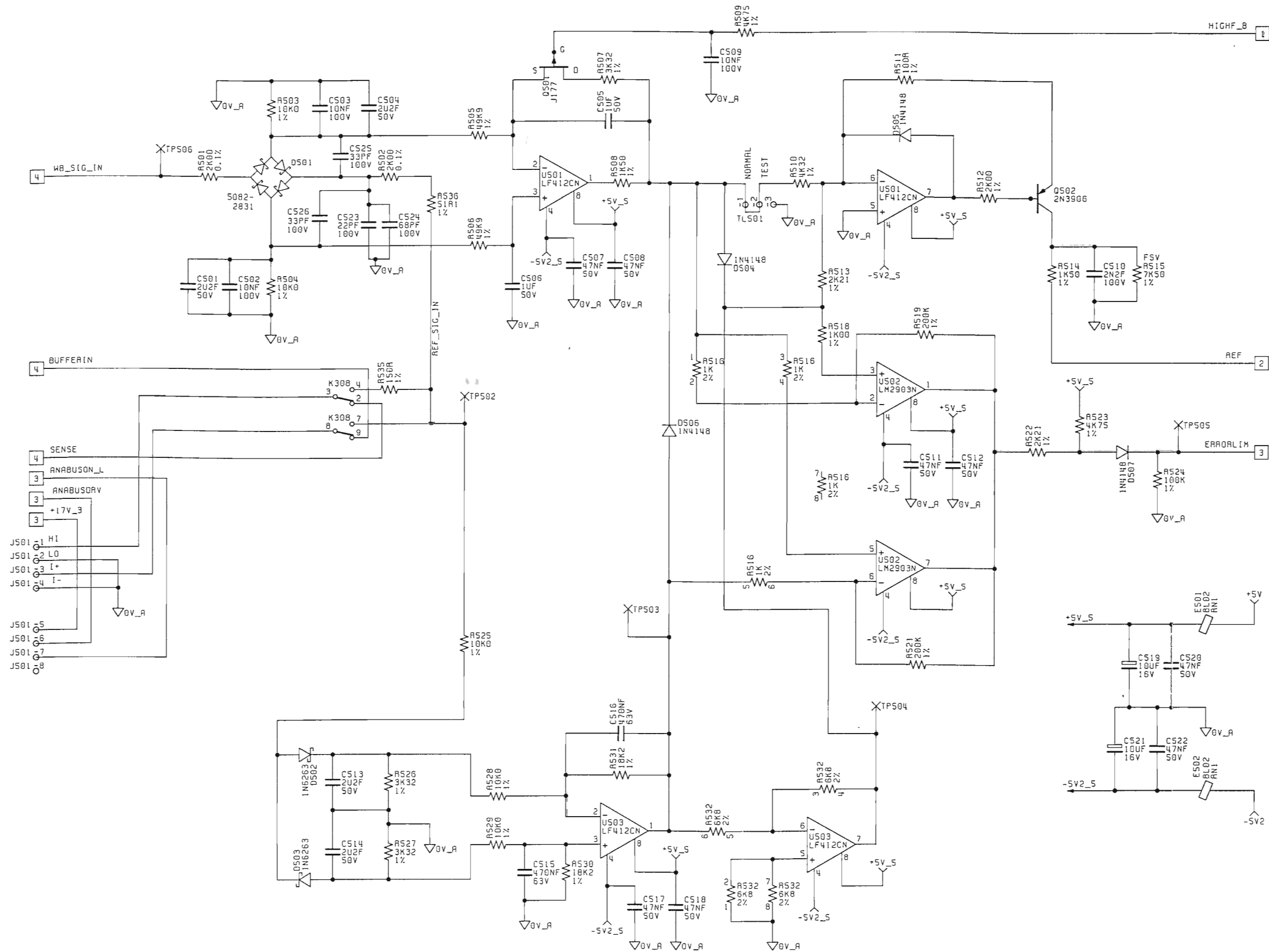
NOTE: 17V POWER SUPPLY LINE SET TO 16V8 +/- .1

E411, E413-E419 NOT FITTED

DRAWN	DATE	TITLE
JD	02 JUL 92	
CHKD	DATE	
JRP	01 JUN 93	
APPD	DATE	
PTN	02 JUN 93	

BUFFER  
AMPLIFIER  
4800 WIDEBAND

\* = COMPONENT NOT FITTED



ISS	CHANGES
1.0	ECO 4311 RELEASED I JL 20 MAY 93
1.1	ECO 4333 CS23 WAS NOT FITTED (33PF) I JL 7 SEP 93
1.2	ECO 5172 R515 WAS 100K I JL 12 JUL 96
1.3	ECO 5026 R515 WAS 5K02 JHN 2 OCT 97

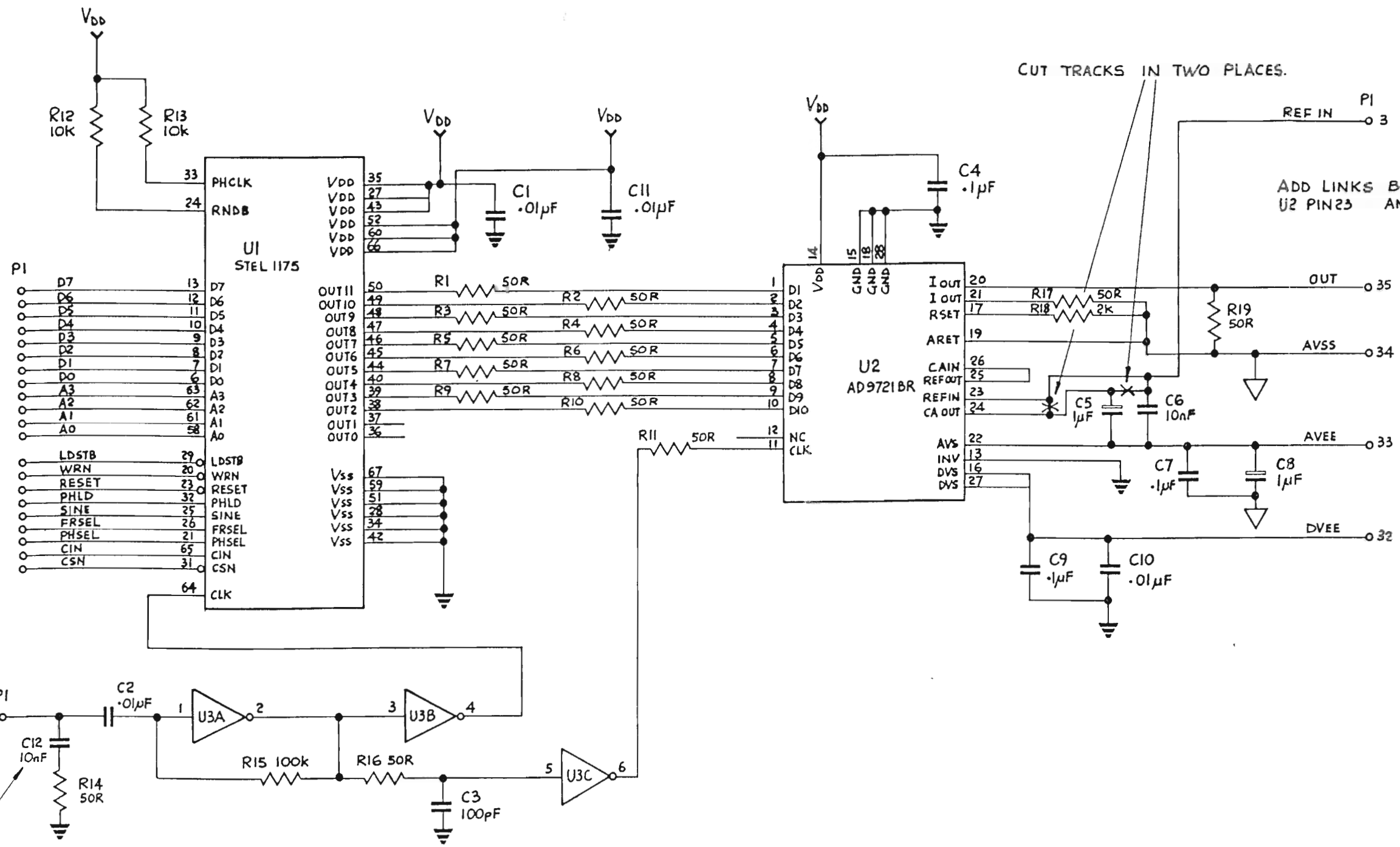
DRAWN JD	DATE 02 JUL 92	TITLE
CHKD JAP	DATE 01 JUN 93	
APPD PTN	DATE 02 JUN 93	

ERROR  
SENSE  
4800 WIDEBAND

DRAWING No.  
DC401324

CHANGES  
ECO.5172  
RELEASED  
16 JUL 96

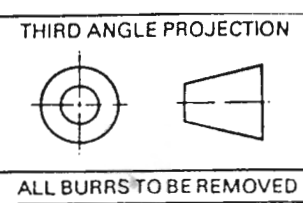
26 JUL 1996



CUT TRACKS IN TWO PLACES.

ADD LINKS BETWEEN P1-3 & U2 PIN23 AND C5 TO U2 PIN24.

FIT C12 BY LIFTING R14 LEG AND SOLDER IN SERIES.



THIRD ANGLE PROJECTION  
DRAWN  
1SL  
CHECKED  
CB  
APPR.  
DAH

DATE  
16 JUL 96  
DATE  
23 Jul 96  
DATE  
23 Jul 96

DIMENSIONS IN  
MILLIMETRES  
SCALE  
NOT TO BE SCALED

TOLERANCES  
DECIMAL TO 2 PLACES ±.1mm  
DECIMAL TO 1 PLACE ±.2mm  
WHOLE DIMENSIONS ±.4mm  
ANGULAR + 1/2°  
UNLESS OTHERWISE STATED

MATERIAL  
FINISH  
TITLE  
4800 WB  
DDS MODULE ASSY.

DRAWING No.  
DC401324  
SHEET 1 OF 1

WAVETEK  
NORWICH  
ENGLAND